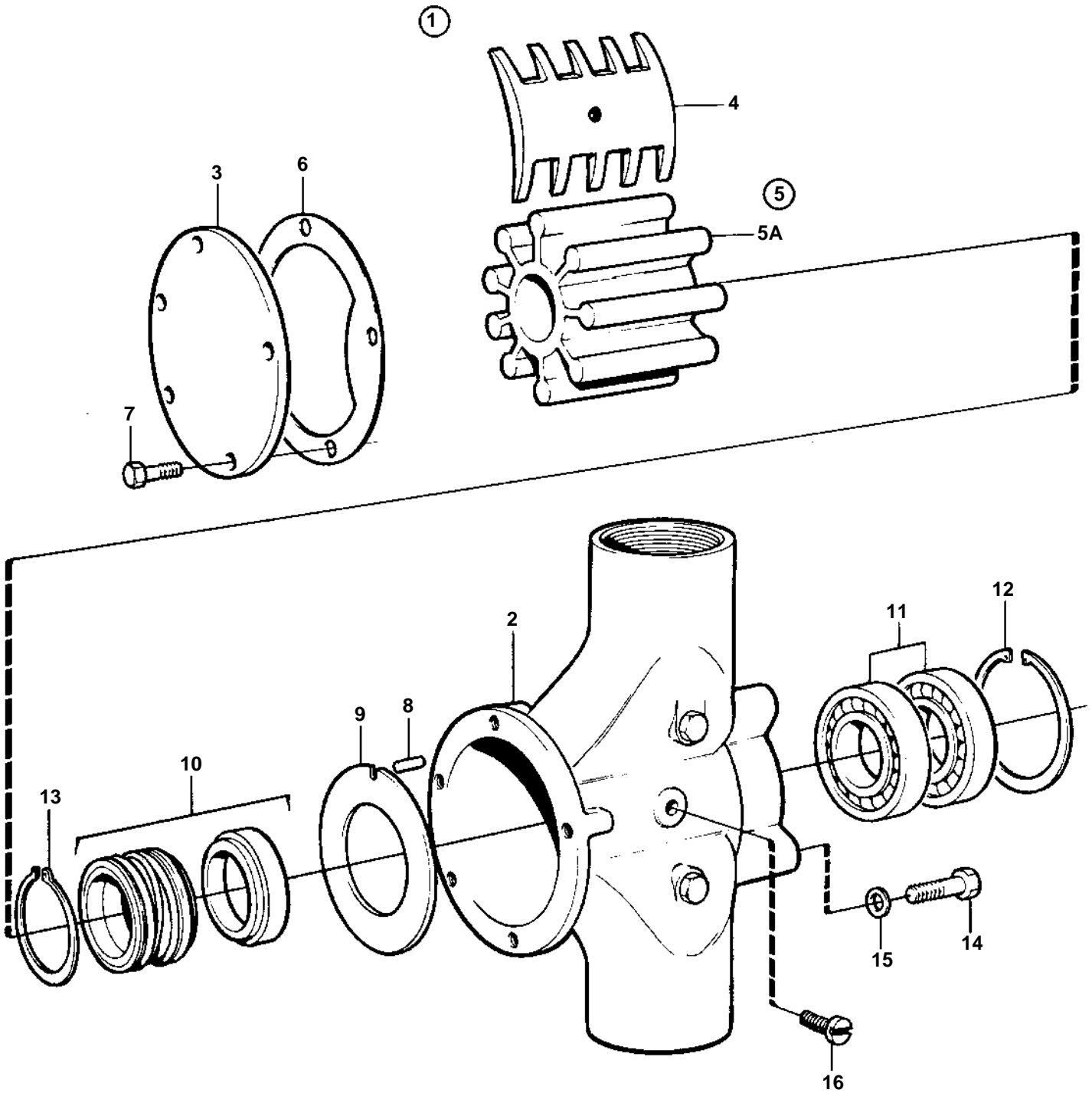


D9A2A D9A-MH, D9A2B MH



15308

D9A2A D9A-MH, D9A2B MH

| REF | PART NO. | QTY | DESCRIPTION | NOTES |
|-----|----------|-----|-----------------|-----------|
| 1 | 846105 | 1 | Bilge pump | 2" |
| 2 | | 1 | · Pump housing | |
| 3 | 825727 | 1 | · Pump cover | |
| 4 | 849322 | 1 | · Cam | |
| 5 | 875697 | 1 | · Impeller kit | |
| 5A | | 1 | · · Impeller | |
| 6 | 3829314 | 1 | · · Gasket | |
| 7 | 959931 | 5 | · Hexagon screw | |
| 8 | 826229 | 1 | · Locking pin | |
| 9 | 826230 | 1 | · Wear washer | |
| 10 | 822767 | 1 | · Sealing | |
| 11 | 181648 | 2 | · Ball bearing | (1526189) |
| 12 | 914533 | 1 | · Snap ring | |
| 13 | 943468 | 2 | · Snap ring | |
| 14 | 940135 | 4 | · Hexagon screw | |
| 15 | 941907 | 4 | · Spring washer | |
| 16 | 825730 | 1 | · Screw | |