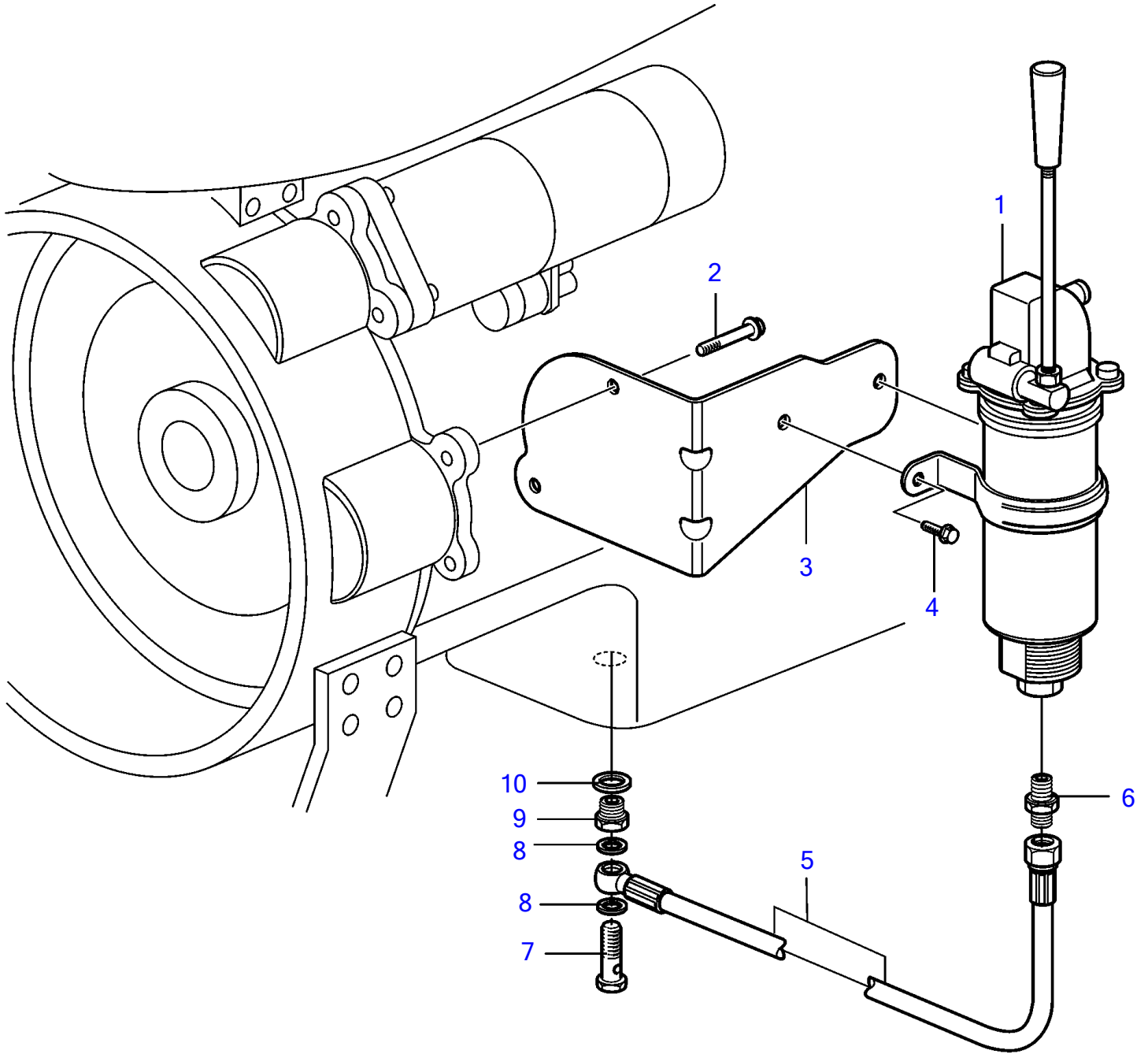


D9A2A D9A-MG



19912

D9A2A D9A-MG

| REF | PART NO. | QTY | DESCRIPTION | NOTES |
|-----|-----------|-----|----------------|--------------------------|
| 1 | (3841115) | 1 | Oil drain pump | (3827475), Obsolete part |
| 2 | 946471 | 3 | Flange screw | |
| 3 | 3838254 | 1 | Bracket | |
| 4 | 946173 | 2 | Flange screw | |
| 5 | 3837774 | 1 | Hose | |
| 6 | 944177 | 1 | Nipple | |
| 7 | 941686 | 1 | Hollow screw | |
| 8 | 947622 | 2 | Gasket | |
| 9 | 3838214 | 1 | Nipple | |
| 10 | 18813 | 1 | Gasket | |