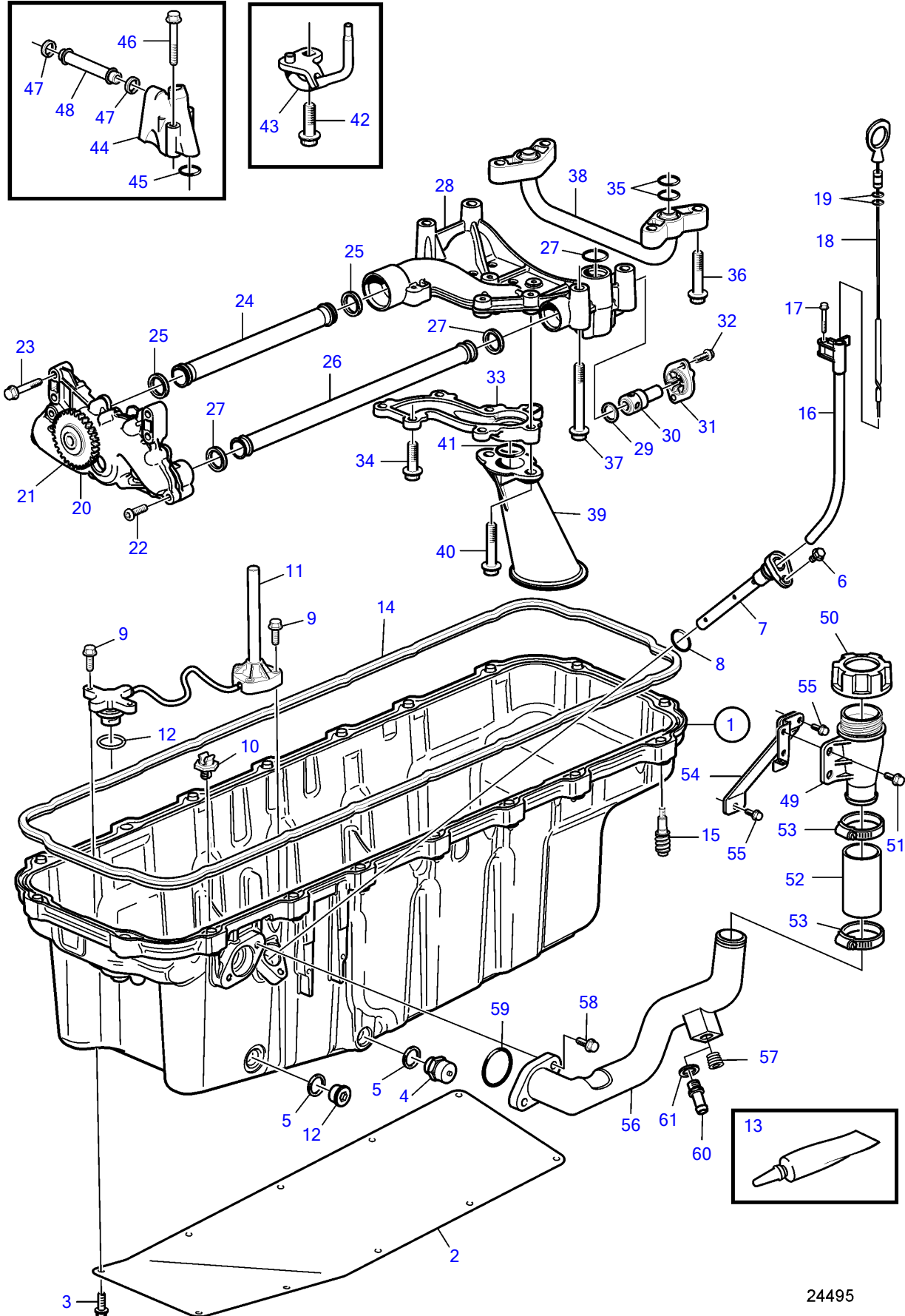


D9A2A D9A-MG



24495

D9A2A D9A-MG

REF	PART NO.	QTY	DESCRIPTION	SEE SEC.	NOTES
1	20753945	1	Oil pan		
2		1	• Plate		
3	980894	10	• 6 point socket screw		
4	11054692	1	• Valve		
5	18813	2	• Gasket		
6	946440	1	• Flange screw		
7	20724256	1	• Pipe		(20464233)
8	949656	1	• • O-ring		
9	948356	5	• Flange screw		
10	20700754	1	• Retainer		
11	3173797	1	• Oil level sensor		
12	20571854	1	• Magnetic plug		(949175)
13	1161277	1	Sealant		
14	20812484	1	Sealing strip		(8148213)
15	20463185	18	Flange screw		
16	3812381	1	Pipe		
17	975371	1	6 point socket screw		
18	3817534	1	Oil dipstick		
19	949187	2	• O-ring		
20	20758237	1	Oil pump		
			• parts not sold separately		
21	8148139	1	• Gear		
22	(969600)	10	• 6 point socket screw		Obsolete part
23	947760	4	Flange screw		
24	20405083	1	Suction pipe		
25	20451487	2	Sealing ring		
26	20405081	1	Pressure pipe		
27	21092243	3	Sealing ring		(8170558)
28	20412866	1	Valve housing		
29	469846	1	• Sealing ring		
30	3826265	1	• Reduction valve		
31	471648	1	• Cover		
32	946934	2	• Flange screw		
33		1	• Lock		
34	946671	5	• Flange screw		
35	471956	4	Gasket		
36	965186	4	Flange screw		
37	947790	4	Flange screw		
38	20412574	1	Pipe		
39	3161262	1	Oil strainer		
40	973924	2	Flange screw		
41	948610	1	O-ring		
42	966378	6	Flange screw		
43	8148129	6	Piston cooling jet		
44	8170702	1	Spacer		
45	1636309	1	Sealing ring		
46	3165142	2	Flange screw		
47	1677370	2	Sealing ring		
48	8148187	1	Connection pipe, rocker arm shaft		
49	20808091	1	Oil filler pipe		
50	20807510	1	• Oil filler cap		
51	946440	2	Flange screw		
52	11162126	1	Hose		
53	943477	2	Hose clamp		
54		1	Bracket	7494	
55		2	Screw	7494	
56	3812379	1	Pipe		
57	968062	1	Plug		
58	946440	2	Flange screw		
59	20555696	1	Sealing ring		
60	990038	1	Hose nipple		Rating 2, Hose 3883438
61	969011	1	Gasket		