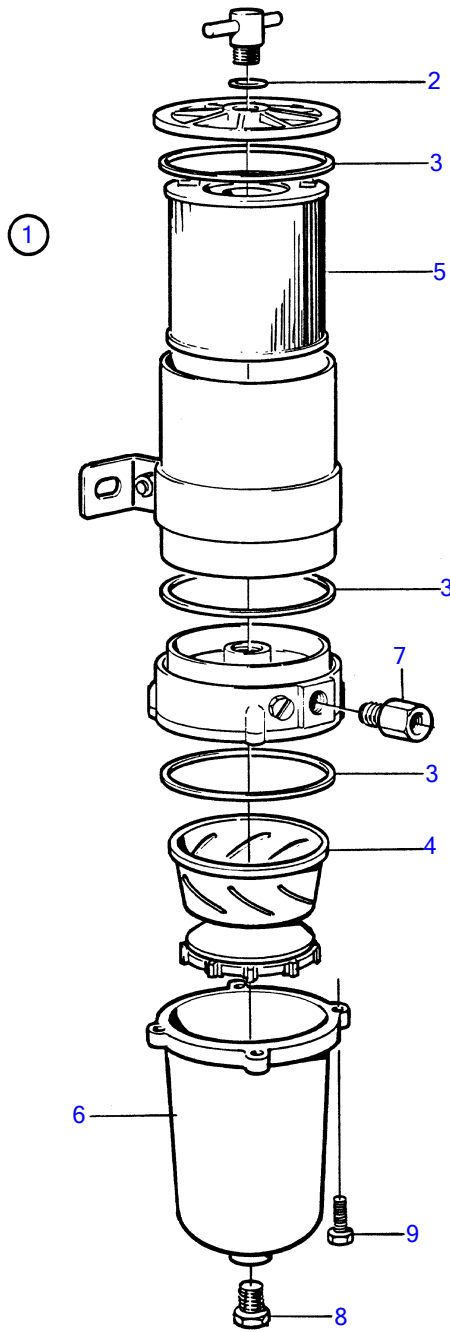


D9A2A D9A-MG, D9A2A MG



15385

D9A2A D9A-MG, D9A2A MG

| REF | PART NO. | QTY | DESCRIPTION | SEE SEC. | NOTES |
|-----|----------|-----|----------------------|-----------|---------------------------------|
| 1 | 3825018 | 1 | Fuel filter | | Repl by 877768 |
| | | | • Bulletin 50-11A | 50-11A-EN | Fuel Filters / Water Separators |
| 1 | 877768 | 1 | Fuel filter | | |
| 2 | 838506 | 1 | • O-ring | | |
| 3 | 846719 | 3 | • Gasket | | |
| 4 | 3825028 | 1 | • Turbine | | |
| 5 | 3838852 | 1 | • Fuel filter insert | | (3825027) 10 micron |
| 6 | 3838851 | 1 | • Bowl | | Metal bowl., (848293) |
| 7 | 846620 | 2 | • Nipple | | |
| 8 | 952075 | 1 | • Plug | | |
| 9 | 940094 | 4 | • Hexagon screw | | |