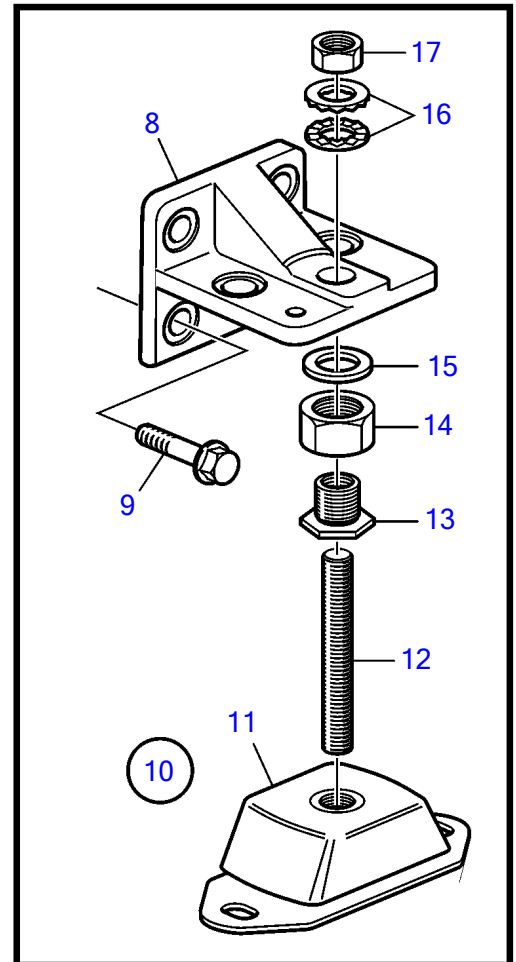
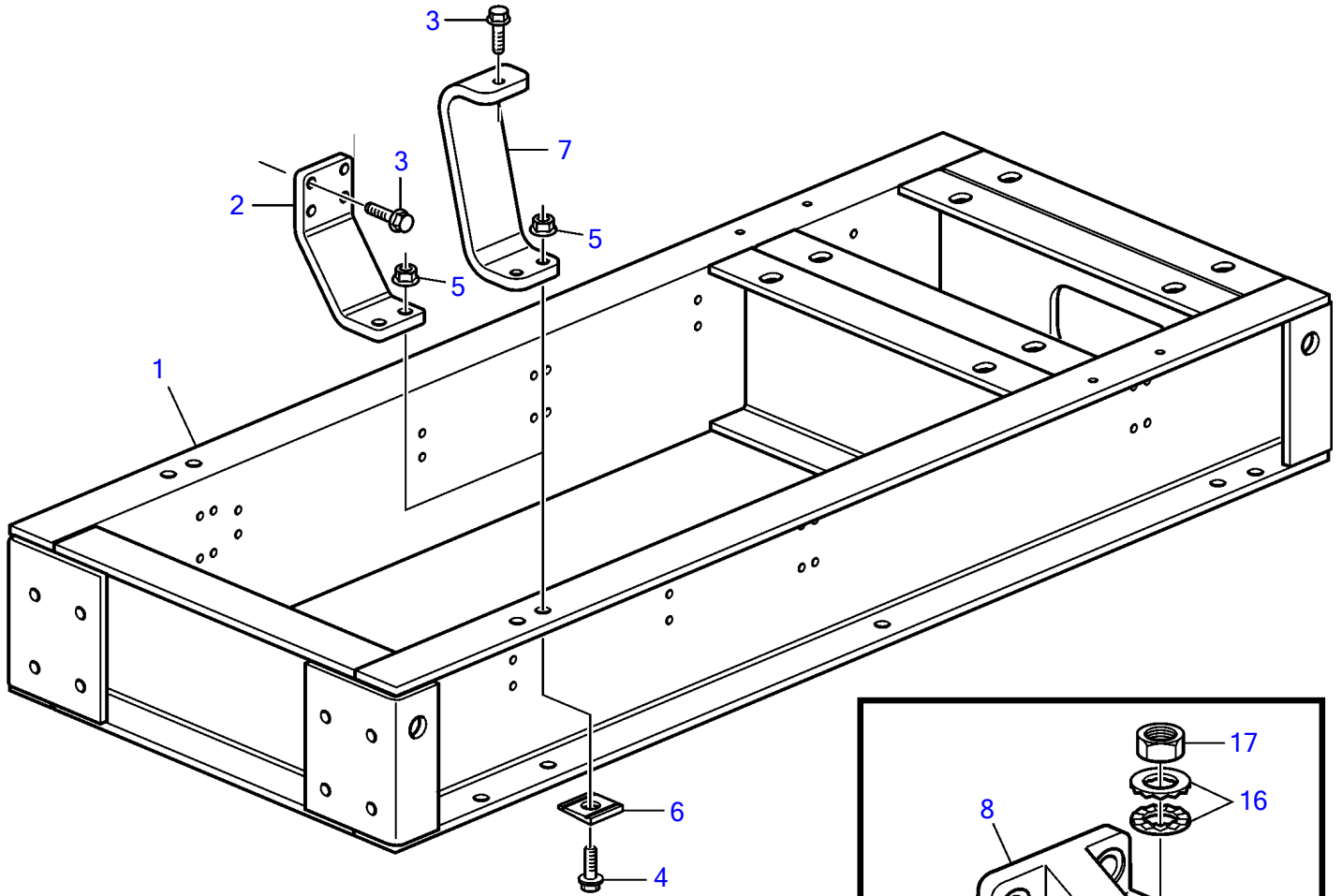


D9A2A D9A-MG



D9A2A D9A-MG

REF	PART NO.	QTY	DESCRIPTION	NOTES
1		1	Frame	
2	3808723	2	Engine mountings	RC, Obsolete part
3	968435	4	Flange screw	For mounting on right side.
	968435	3	Flange screw	For mounting on left side.
	980549	1	Flange screw	For mounting on left side.
4	968302	4	Flange screw	
5	946673	4	Flange lock nut	
6	18673	4	U-member washer	
7	(3809750)	2	Engine mountings	Obsolete part, HE/KC
8	3832659	2	Engine mountings	Rear
9	968435	8	Flange screw	
10	889695	X	Rubber cushion kit	
11	862347	X	• Rubber cushion	
12		X	• Adjusting screw	
13	3839411	X	• Sleeve	
14	3839409	X	• Nut	
15	120224	X	• Washer	
16	847766	X	• Lock washer, set	
17	955786	X	• Hexagon nut	