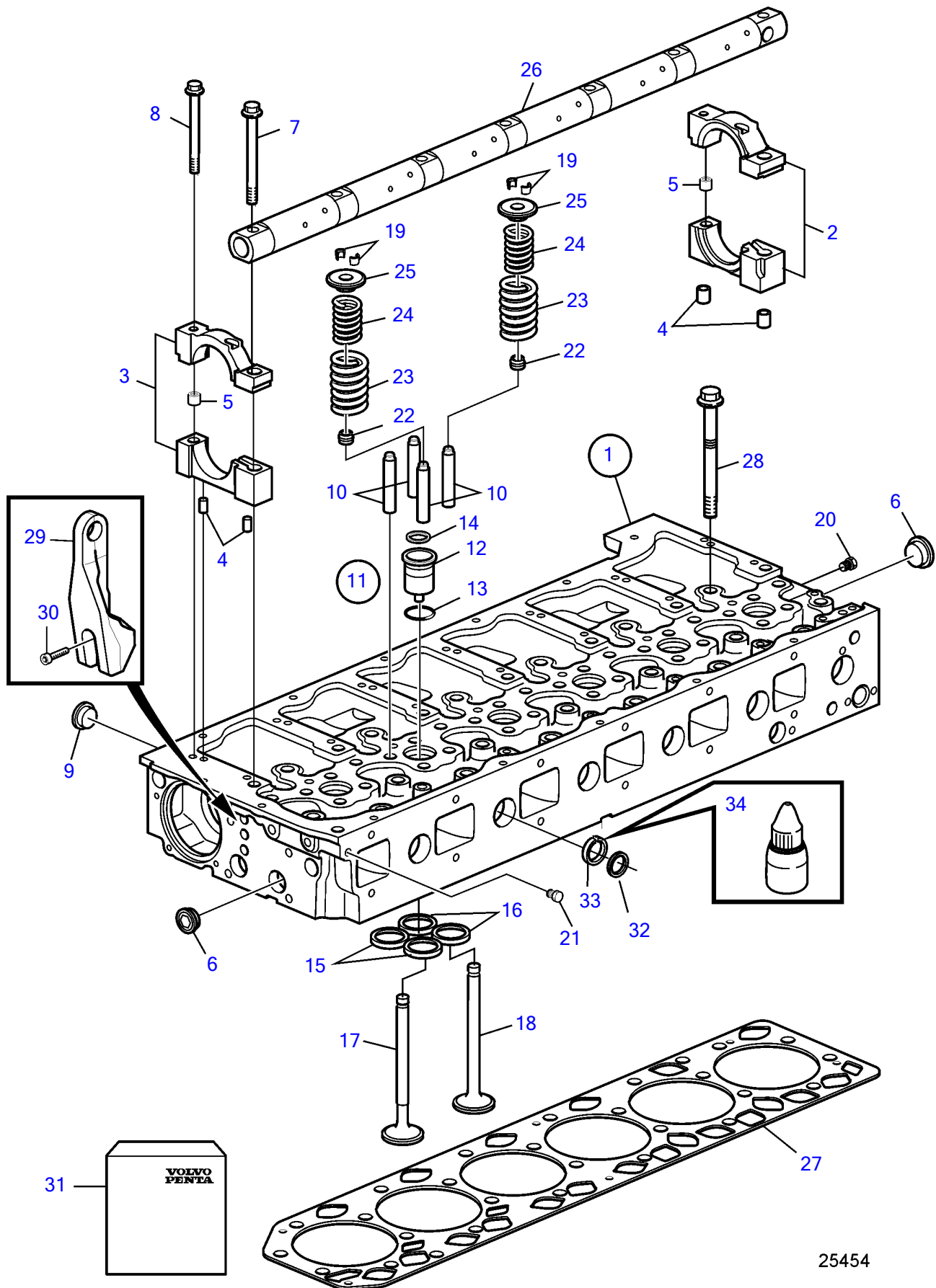


D9A2A D9A-MG



25454

D9A2A D9A-MG

REF	PART NO.	QTY	DESCRIPTION	NOTES
1	3803886	1	Cylinder head, exch	Replaced by 3801426
	3801426	1	Cylinder head	
2	3161082	1	• Bearing housing	
3	3161079	6	• Bearing housing	
4	422426	2	• • Pivot pin	
5	950542	1	• • Pin	
6	24426721	5	• Expansion plug	
7	20412482	7	• Flange screw	
8	975105	7	• Flange screw	
9	24426722	11	• Expansion plug	
10	20905400	24	• Valve guide	
11	21351717	6	• Injector sleeve, kit	
12		6	• • Sleeve	
13	20536487	6	• • O-ring	
14	21261987	6	• • Washer	
15	20555102	12	• Valve seat, intake	
16	20555104	12	• Valve seat, exhaust	
17	3836280	12	• Inlet valve	Singelgroove valve replaced by multigroove valve 3817674, spring washer 20510743 and valve collet 20510747.
	3817674	12	• Inlet valve	
18	3836281	12	• Exhaust valve	Singelgroove valve replaced by multigroove valve 3818985, spring washer 20510743 and valve collet 20510747.
	3818985	12	• Exhaust valve	
19	20510747	48	• Valve cotter	For valves with single groove order valve collet 1677875.
20	968062	2	• Plug	
21	968060	1	• Plug	
22	859171	24	• Valve stem seal	
23	3183210	24	• Valve spring	
24	3183211	24	• Valve spring	
25	20510743	24	• Valve spring washer	For valves with single groove order spring washer 20464946.
26		1	Rocker arm shaft	
27	20495935	1	Cylinder head gasket	
28	21345131	26	Screw	
29		1	Lifting eye	
30	966789	3	Hex. socket screw	
31	3595296	1	Service kit	See group 99
32	469982	2	• Sealing ring	
33		2	• Bushing	
34	1161053	1	• Locking fluid	