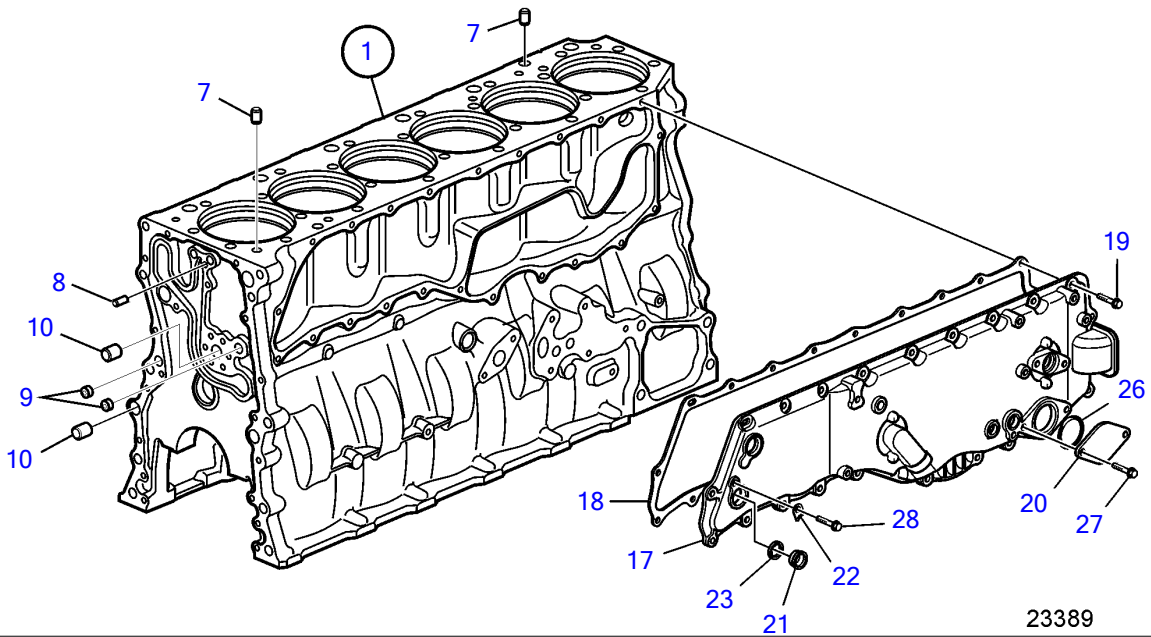
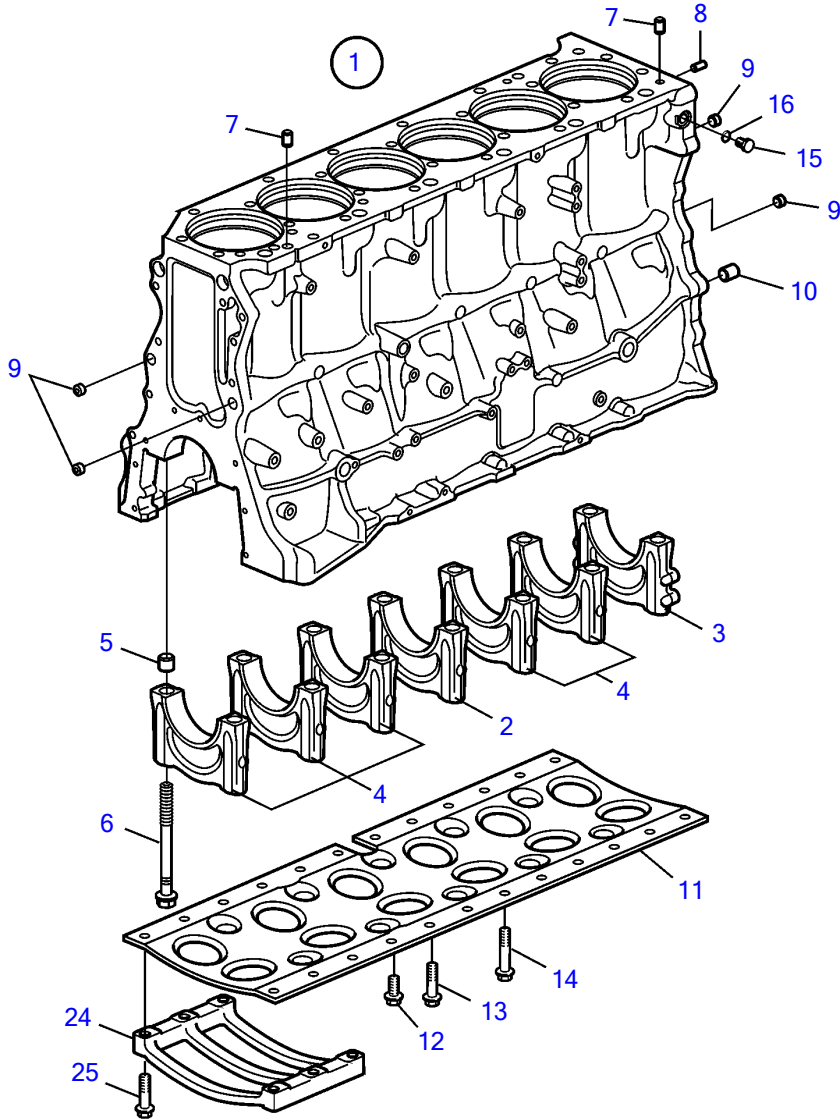


D9A2A D9A-MG



D9A2A D9A-MG

REF	PART NO.	QTY	DESCRIPTION	NOTES
1	20463774	1	Cylinder block	
2		1	• Main bearing cap	
3		1	• Main bearing cap	
4		5	• Main bearing cap	
5		14	• Guide sleeve	
6	1547040	14	• Flange screw	
7	20485996	2	Guide sleeve	
8	950588	1	Pin	
9	984793	5	Plug	
10	8131145	2	Guide sleeve	
11	20575260	1	Frame	Replaced by 21644471
	21644471	1	Frame reinforcement	
12	946472	10	Flange screw	M10x30mm
13	965186	4	Flange screw	M10x50mm
14	947790	4	Flange screw	M10x80mm
15	960629	1	Plug	M12x12mm
16	11994	1	Gasket	
17	21112050	1	Cover	(20910025)
18	20584639	1	Sealing strip	
19	946671	22	Flange screw	
20	3177470	1	Flange	
21	1546528	1	Plug	
22	20718731	1	Yoke	
23	1547252	1	Sealing ring	
24	3836277	1	Reinforcement	
25	975103	6	Flange screw	
26	975675	1	O-ring	
27	945444	2	Flange screw	
28	946173	1	Flange screw	