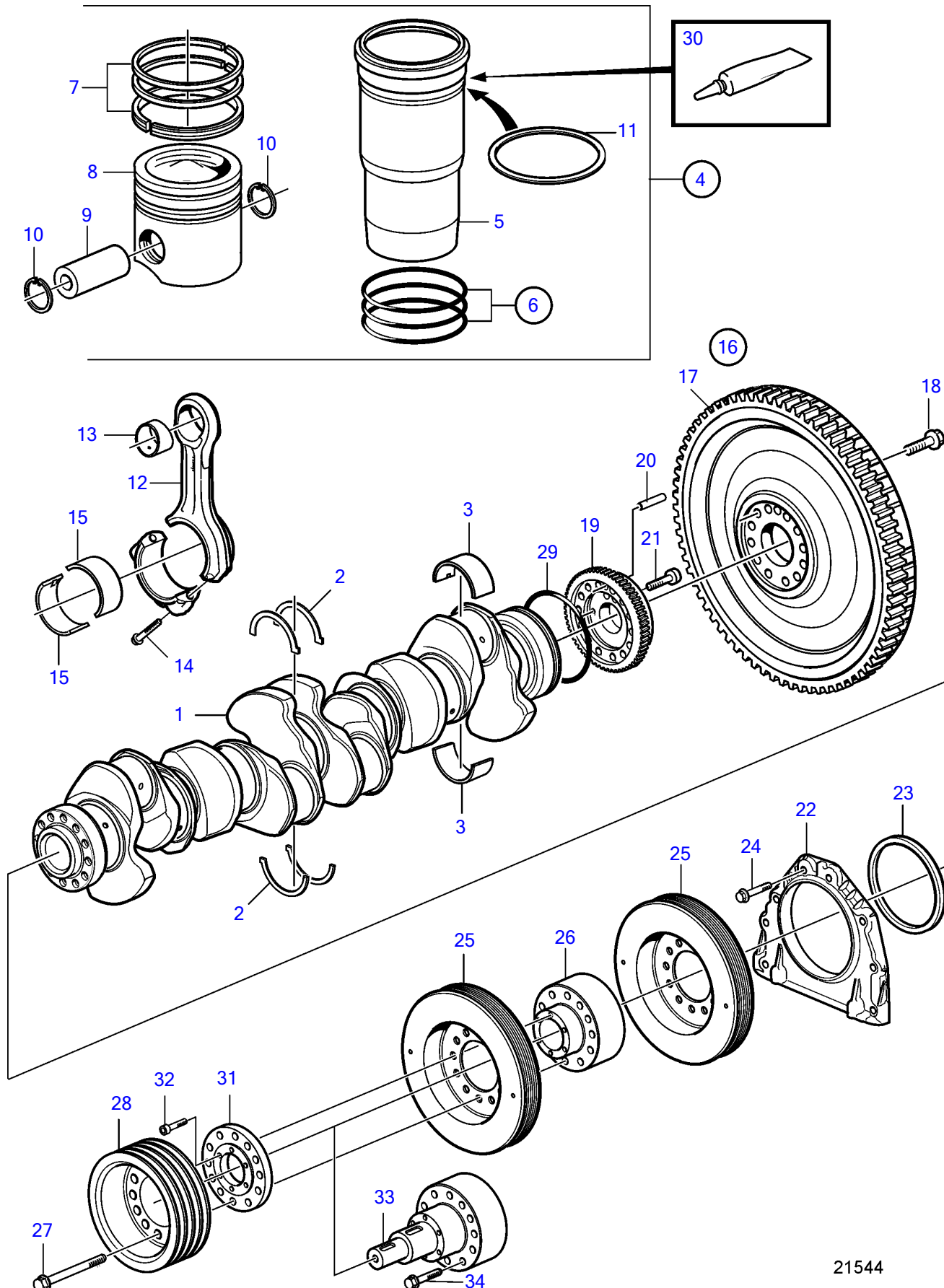


D9A2A D9A-MG



21544

D9A2A D9A-MG

REF	PART NO.	QTY	DESCRIPTION	NOTES
1	20729915	1	Crankshaft	Classifiable
2	3093651	1	Thrust washer kit	Std
	3093652	1	Thrust washer kit	O.S=00,1mm
	3093653	1	Thrust washer kit	O.S=0,20mm
	3093654	1	Thrust washer	O.S=0,30mm
3	20867178	7	Main bearing kit	Std (85103707)
	85103708	7	Main bearing kit	O.S=0,25mm
	85103709	7	Main bearing kit	O.S=0.50mm
	85103711	7	Main bearing kit	O.D=1,0mm
4	3817085	6	Cylinder liner kit	
5		1	• Cylinder liner	
6	85103699	1	• Sealing kit	
		6	• • Sealing ring	Upper
	(8148066)	6	• • Sealing ring	Obsolete part, Lower
	(8148067)	6	• • Sealing ring	Obsolete part
7	3817086	6	• Piston ring kit	SN-7009114518
	3886774	6	• Piston ring kit	SN7009114519-
		6	• • Compression ring	Upper
		6	• • Compression ring	Lower
		6	• • Oil scraper ring	
8		6	• Piston	
9	3161285	6	• Piston pin	
10	3161087	12	• Snap ring	
11	20463853	X	Shim	TH=0,20mm
	20463854	X	Shim	TH=0,30mm
	20463855	X	Shim	TH=0,50mm
12	20730038	6	Connecting rod	Classifiable
13	20583429	6	• Bushing	
14	8192804	24	• Screw	
15	85103713	6	Big-end bearing kit	Std
	85103714	6	Big-end bearing kit	O.S=0,25mm
	85103715	6	Big-end bearing kit	O.S=0.50mm
	85103717	6	Big-end bearing kit	O.D=1,0mm
16	3840861	1	Flywheel	
17	20711957	1	• Ring gear	
18	21340868	12	Flange screw	
19	8148111	1	Gear	
20	950658	1	Pin	
21	941761	2	Hex. socket screw	
22	20777233	1	Cover	
23	85108423	1	• Crankshaft seal	
24	946671	8	Flange screw	
25	3586367	2	Vibration damper	
26	3586634	1	Spacer ring	
27	965192	6	Flange screw	
28	3837937	1	Pulley	
29	949736	1	O-ring	
30	1161231	X	Sealant	304ml
	1161277	X	Sealant	20g
31	3809765	1	Spacer ring	
32	959223	6	Hex. socket screw	
33	3809301	1	Stub axle	
34	965196	12	Flange screw	For stub shaft 3809301.