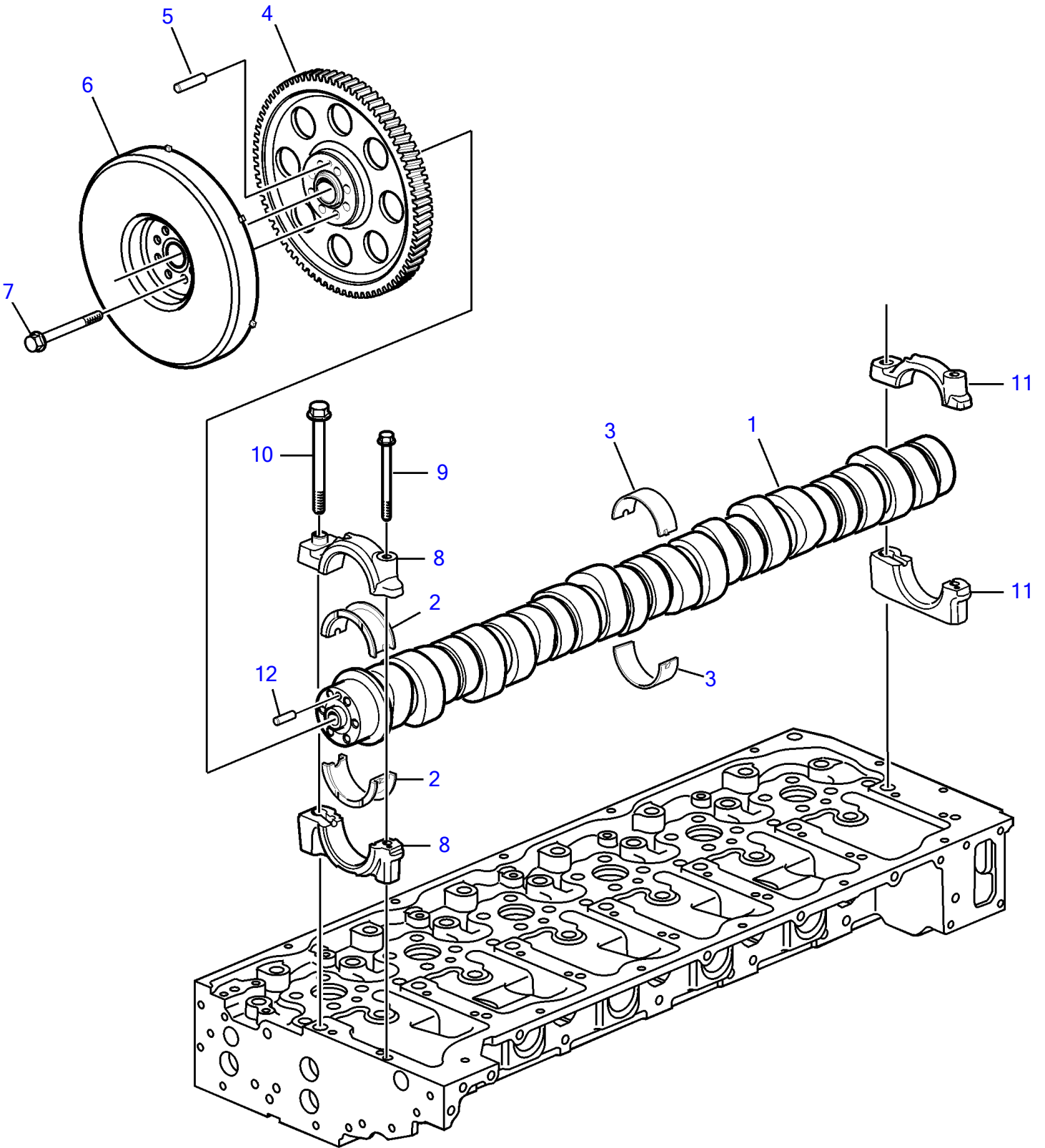


D9A2A D9A-MG



20633

D9A2A D9A-MG

REF	PART NO.	QTY	DESCRIPTION
1	20451775	1	Camshaft
2	8148037	2	Bearing shell
3	8148038	12	Bearing shell
4	8131386	1	Gear
5	950551	1	• Pin
6	20450049	1	Vibration damper
7	8131597	6	Flange screw
8	3161079	6	Bearing housing
9	20412482	7	Flange screw
10	20412482	7	Flange screw
11	3161082	1	Bearing housing
12	950588	1	Pin