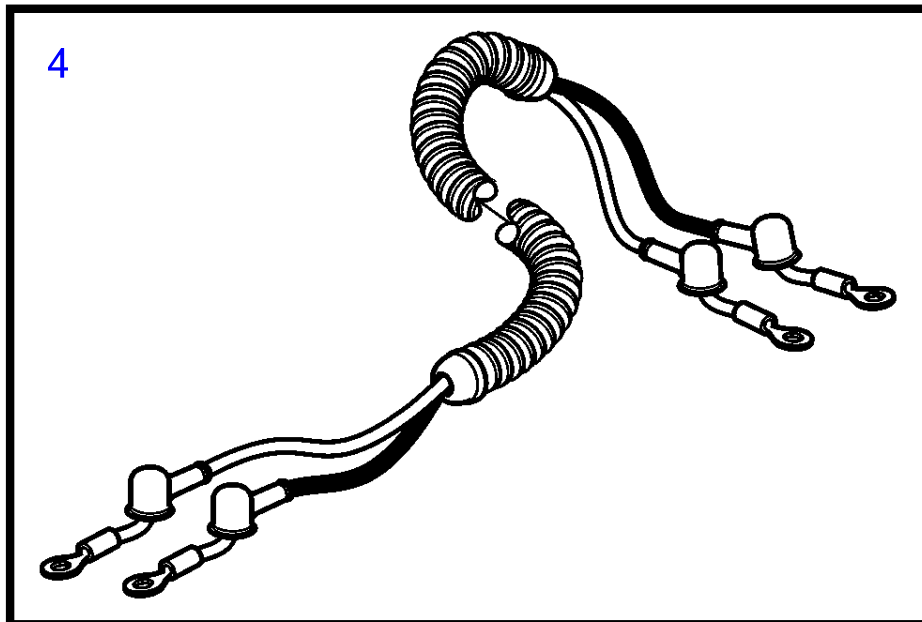
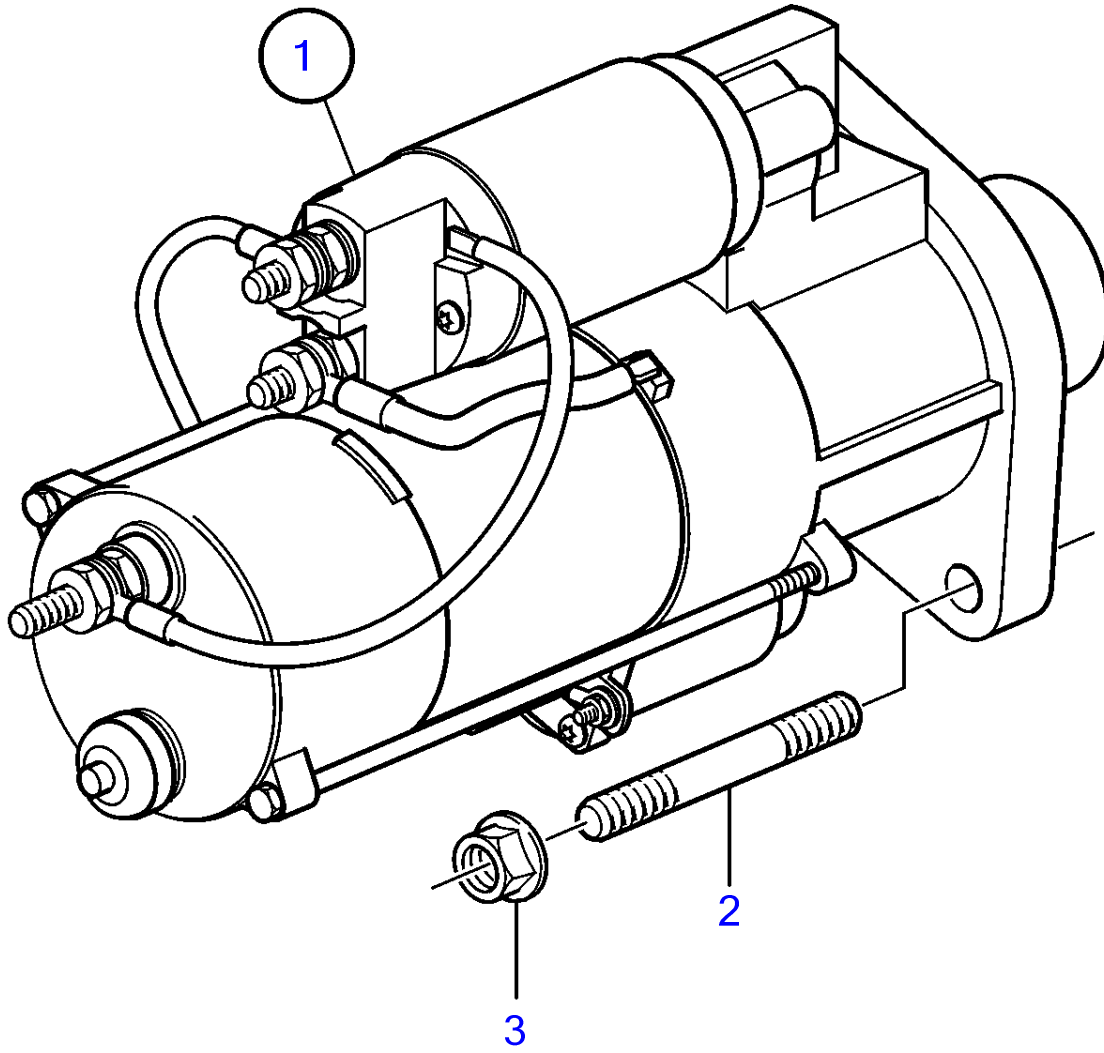


D9A2A D9A-MG



D9A2A D9A-MG

REF	PART NO.	QTY	DESCRIPTION	SEE SEC.	NOTES
1	3803847	1	Starter motor, exch		24V
			.		
			.	8485	
2	953071	3	Stud		
3	471622	3	Flange lock nut		
4	3817049	1	Wiring harness		