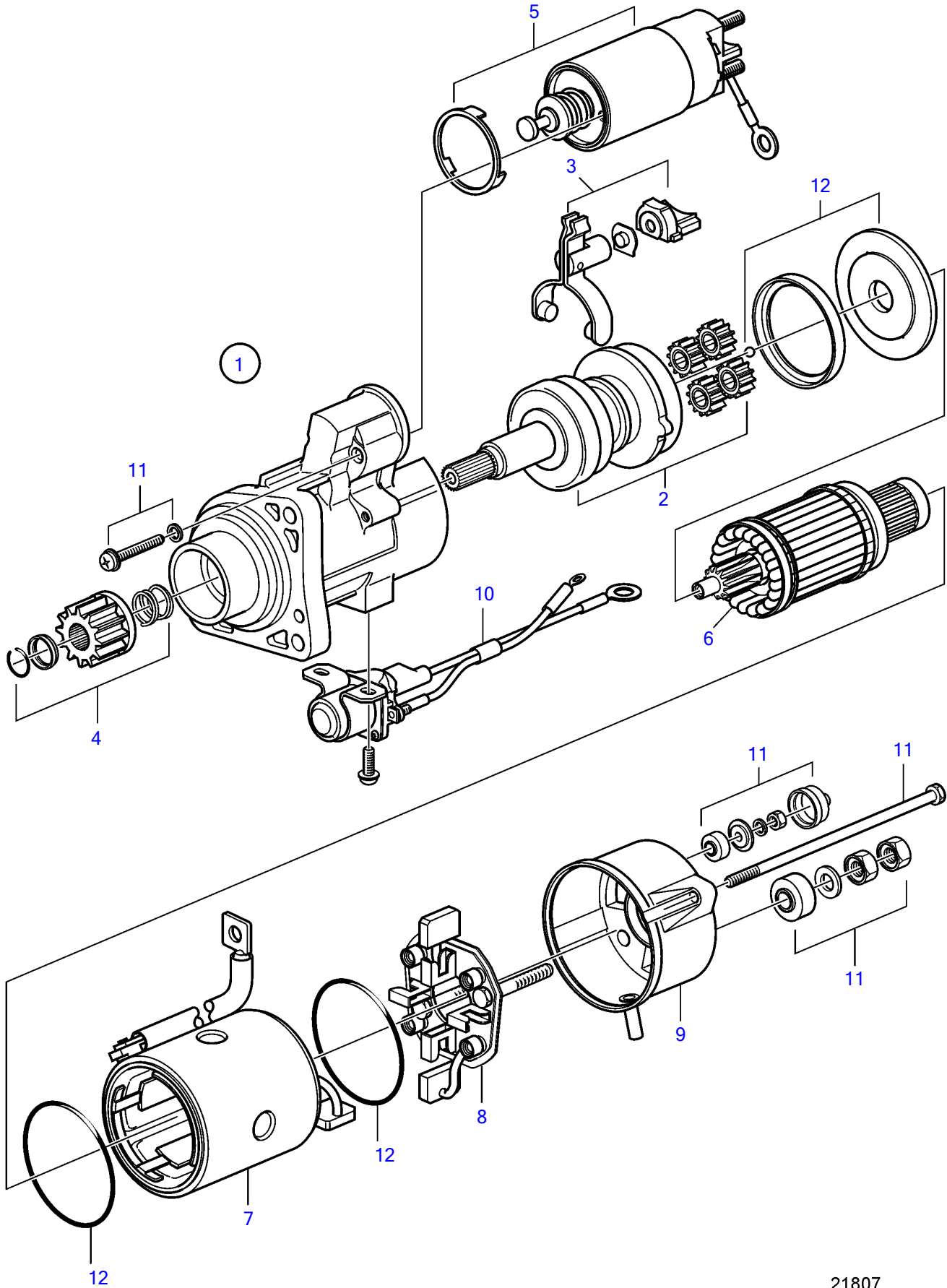


D9A2A D9A-MG



**D9A2A D9A-MG**

REF	PART NO.	QTY	DESCRIPTION	NOTES
1	3803847	1	Starter motor, exch	Replaced by 3801287
	3801287	1	Starter motor, exch	
2		1	• Shaft	
3		1	• Lever	
4	20491053	1	• Pinion	
5	3818887	1	• Starter solenoid	
6		1	• Rotor	
7		1	• Stator	
8	3818891	1	• Carbon brush retaine	
9		1	• Bearing shield	
10	3818901	1	• Starter relay	
11	3818906	1	• Screw kit	
12	3818908	1	• Gasket kit	