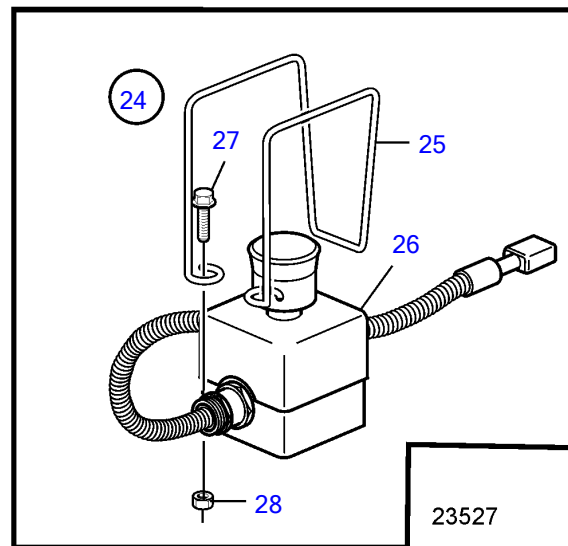
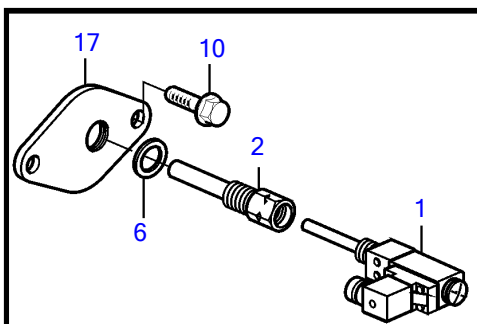
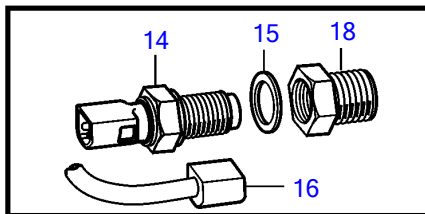
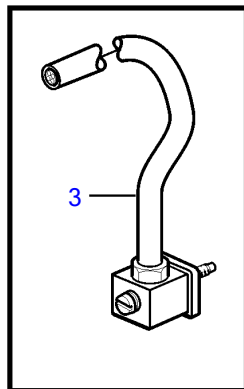
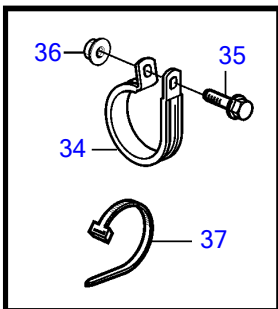
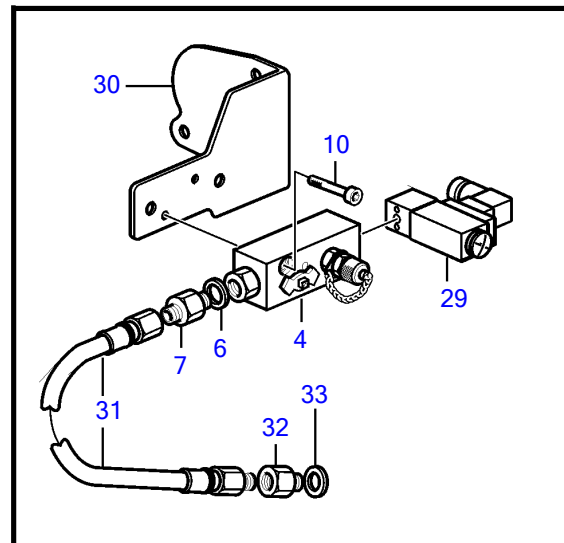
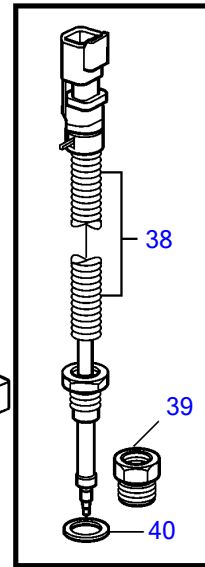
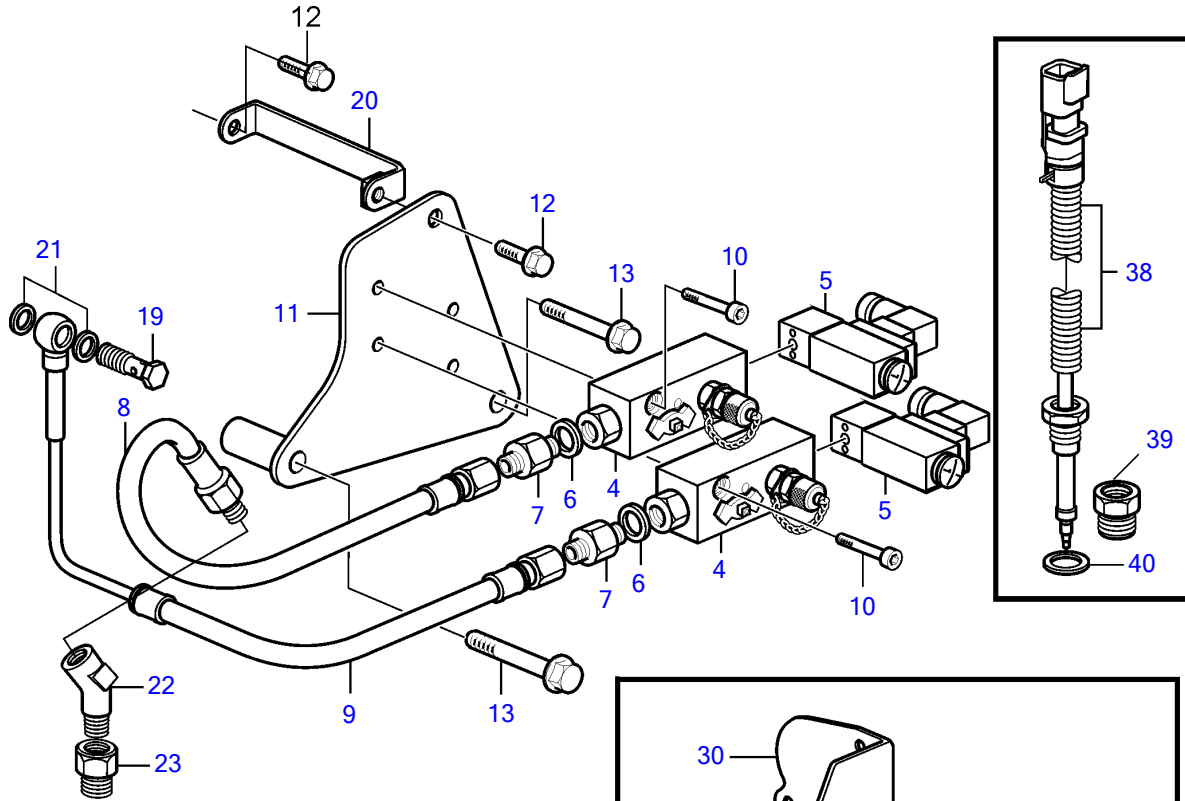


D9A2A D9A-MG



23527

D9A2A D9A-MG

REF	PART NO.	QTY	DESCRIPTION	NOTES
1	881869	1	Thermo monitor, coolant water/oil temp.	
2	873715	1	Sleeve	
3	3588563	1	Wiring harness	Extension cable for sensors, shut down., L=2,0m
	3588564	1	Wiring harness	Extension cable for sensors, shut down., L=13.0' (4.0m)
4	3831442	X	Block	
5	881871	2	Pressure monitor, coolant water/oilpressure	0-4bar
6	18817	X	Gasket	
7	957030	X	Nipple	
8	3835281	1	Oil hose	For oil pressure.
9	3819807	1	Hose	For fresh water pressure.
10	947671	X	Hex. socket screw	
11	3818688	1	Bracket	
12	946173	2	Flange screw	
13	965182	2	Flange screw	
14	862251	1	Tachometer sensor	
15	948884	1	Gasket	
16	3819589	1	Wiring harness	
17	3818686	1	Cardboard tube	
18	872939	1	Adapter	
19	941686	1	Hollow screw	
20	3819647	1	Bracket	
21	11996	2	Gasket	
22	809109	1	Elbow nipple	
23	947899	1	Reduction nipple	
24		1	Switch	
25	3838198	1	• Protecting brace	
26	3588154	1	• Emergency stop	
27	946440	1	• Flange screw	
28	945408	1	• Flange nut	
29	889629	1	Pressure monitor, reverse gear	
30	3819652	1	Bracket	
31	3819809	1	Oil hose	
32	180002	1	Nipple	
33	18817	1	Gasket	
34	949746	1	Clamp	For hose 3819807.
	949747	1	Clamp	For hose 3819807.
	945081	2	Clamp	For hose 3835281.
35	946173	1	Flange screw	For hose 3819807.
	946934	2	Flange screw	For hose 3835281.
36	945408	1	Flange nut	For hose 3819807.
37	948211	X	Cable tie	
38	21126692	1	Temperature sensor	
39	21589402	1	Adapter	
40	947626	1	Gasket	