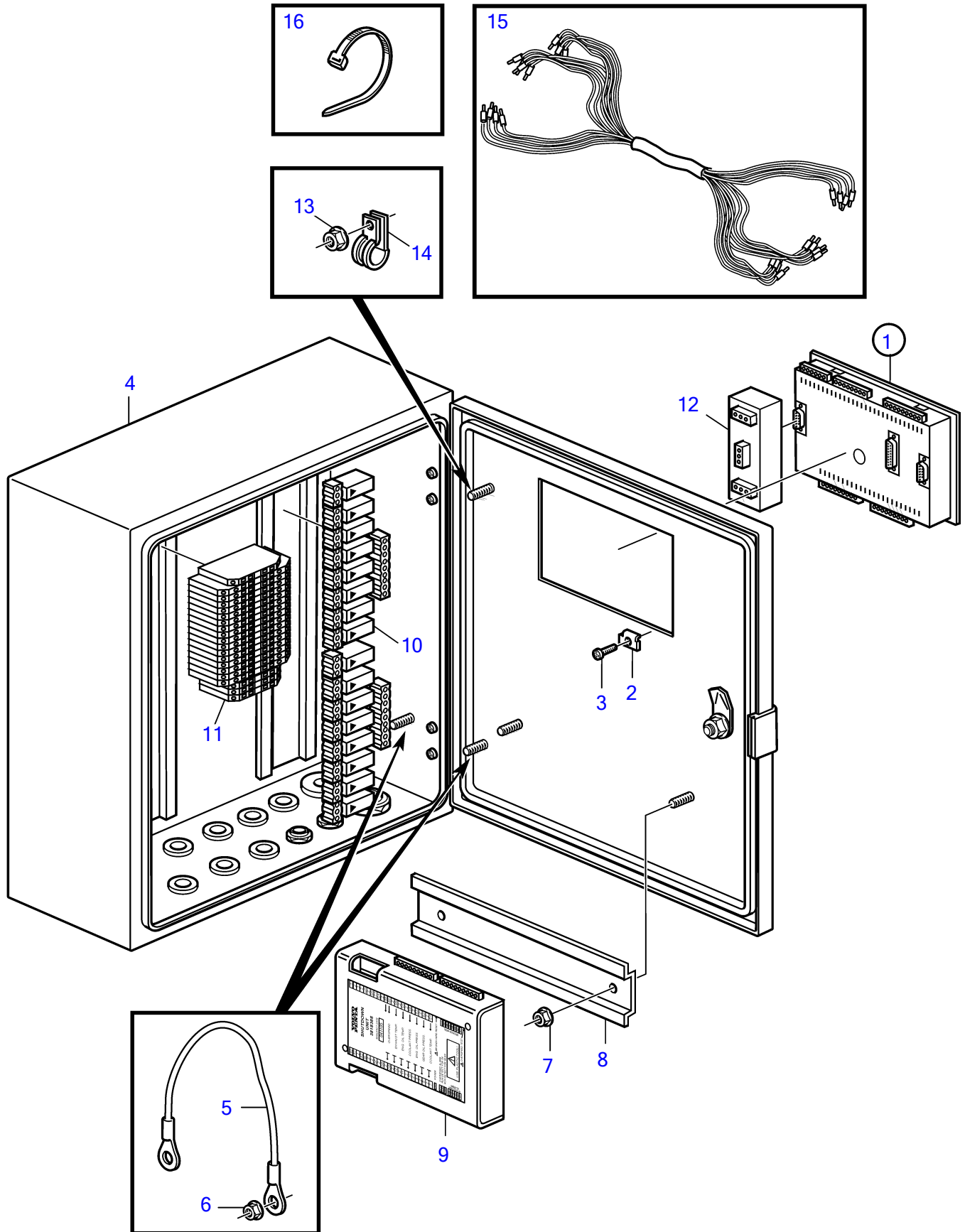


D9A2A D9A-MG



D9A2A D9A-MG

| REF | PART NO. | QTY | DESCRIPTION | SEE SEC. | NOTES |
|-----|----------|-----|--|-------------|--|
| 1 | 3818237 | 1 | Control unit • Bulletin P-28-4-4 | P-28-4-4-EN | Monitor control unit Software Handling Procedures |
| 1 | 3818358 | 1 | Electronic unit | | Remote panel |
| 2 | | 4 | • Lock clip | | |
| 3 | | 4 | • Screw | | |
| 4 | 3818568 | 1 | Box • Bulletin P-28-4-4 | P-28-4-4-EN | Software Handling Procedures |
| 5 | | 1 | • Ground cable | | |
| 6 | | 1 | • Nut | | |
| 7 | | 2 | • Nut | | |
| 8 | | 1 | • Rail | | |
| 9 | 3819845 | 1 | Electronic unit • Bulletin P-28-4-4 | P-28-4-4-EN | Software Handling Procedures |
| 10 | 3818362 | 1 | Relay unit • Bulletin P-28-4-4 | P-28-4-4-EN | Software Handling Procedures |
| 11 | 3818235 | 1 | Terminal block • Bulletin P-28-4-4 | P-28-4-4-EN | Software Handling Procedures |
| 12 | 3818364 | 1 | Electronic unit • Bulletin P-28-4-4 | P-28-4-4-EN | Software Handling Procedures |
| 13 | 945407 | 1 | Flange nut | | |
| 14 | 952633 | 1 | Clamp | | |
| 15 | 3818571 | 1 | Wiring harness • Bulletin P-28-4-4 | P-28-4-4-EN | Software Handling Procedures |
| 16 | 948211 | X | Cable tie | | |