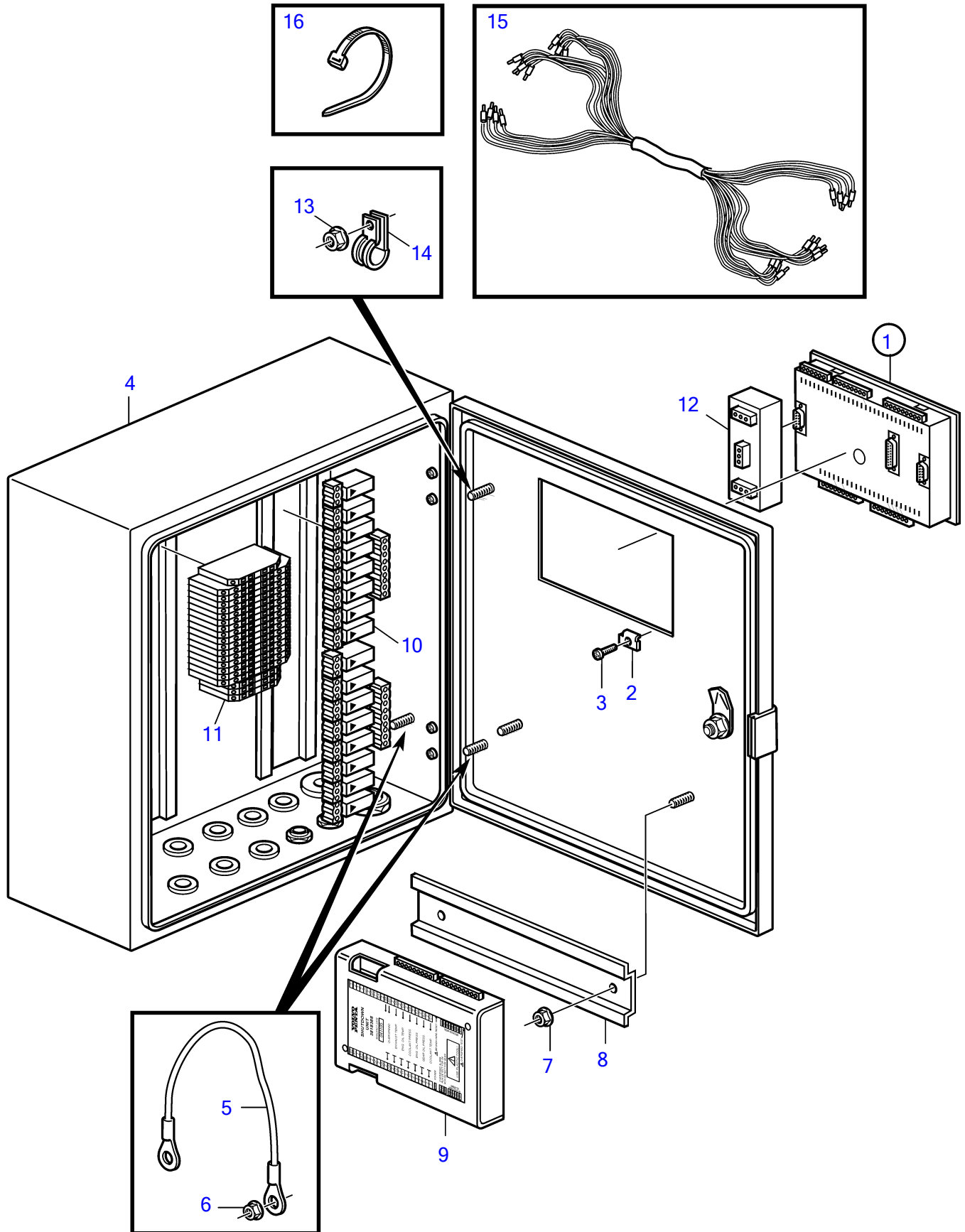


D9A2A D9A-MG



D9A2A D9A-MG

REF	PART NO.	QTY	DESCRIPTION	SEE SEC.	NOTES
1	3818237	1	Control unit • Bulletin P-28-4-4	P-28-4-4-EN	Monitor control unit Software Handling Procedures
1	3818358	1	Electronic unit		Remote panel
2		4	• Lock clip		
3		4	• Screw		
4	3818568	1	Box • Bulletin P-28-4-4	P-28-4-4-EN	Software Handling Procedures
5		1	• Ground cable		
6		1	• Nut		
7		2	• Nut		
8		1	• Rail		
9	3819845	1	Electronic unit • Bulletin P-28-4-4	P-28-4-4-EN	Software Handling Procedures
10	3818362	1	Relay unit • Bulletin P-28-4-4	P-28-4-4-EN	Software Handling Procedures
11	3818235	1	Terminal block • Bulletin P-28-4-4	P-28-4-4-EN	Software Handling Procedures
12	3818364	1	Electronic unit • Bulletin P-28-4-4	P-28-4-4-EN	Software Handling Procedures
13	945407	1	Flange nut		
14	952633	1	Clamp		
15	3818571	1	Wiring harness • Bulletin P-28-4-4	P-28-4-4-EN	Software Handling Procedures
16	948211	X	Cable tie		