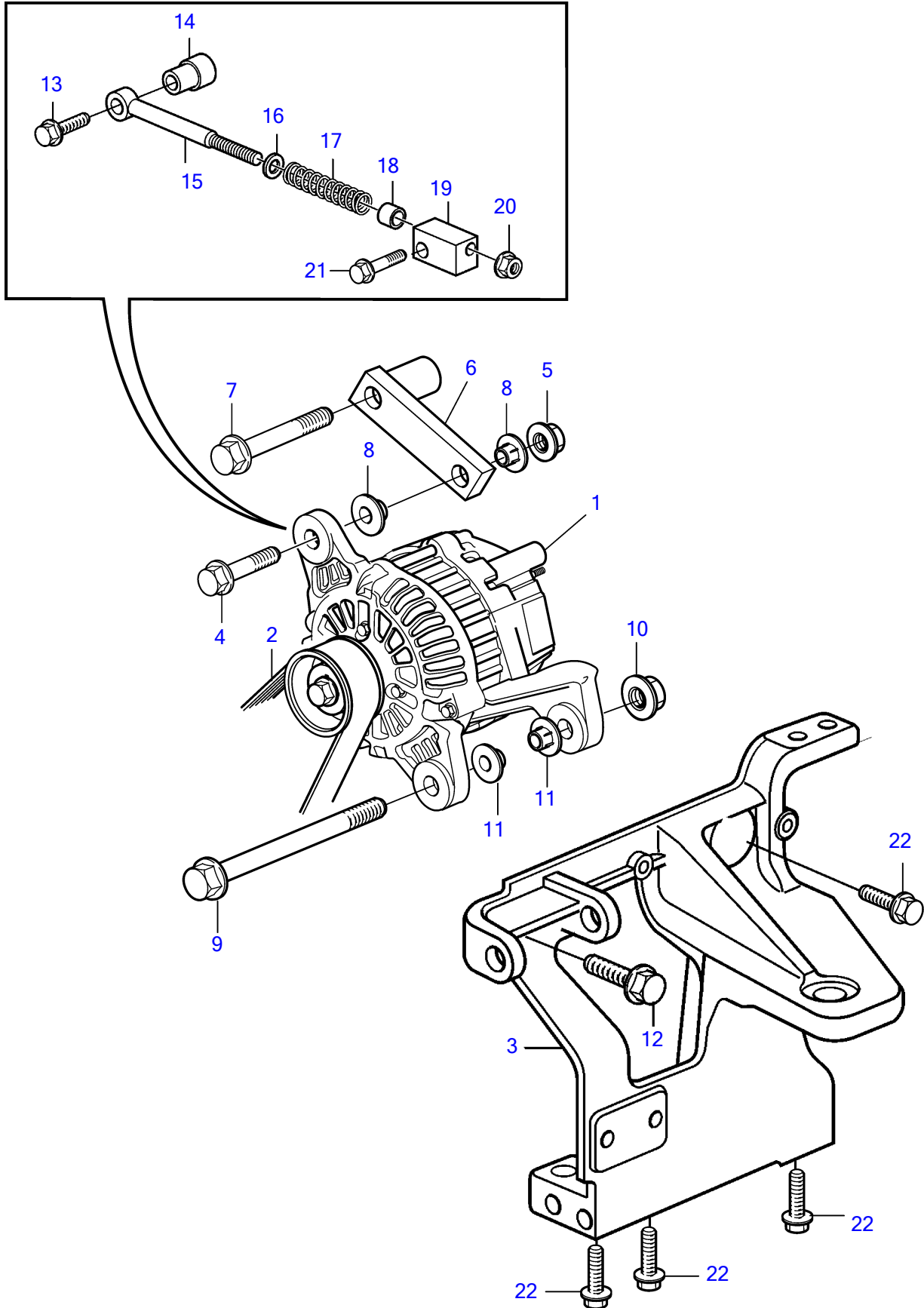


D9A2A D9A-MG



D9A2A D9A-MG

REF	PART NO.	QTY	DESCRIPTION	NOTES
1	3587218	1	Alternator	80A
	3803845	1	Alternator, exch, exch parts not sold separately	80A
2	982570	1	V-ribbed belt	
	1066823	1	V-ribbed belt	No alternator., D9A-MG
3	3807514	1	Engine mountings	
4	965186	1	Flange screw	Later production
5	971098	1	Flange lock nut	Later production
6	3888841	1	Bracket	Later production
7	965222	1	Flange screw	Later production
8	21308512	2	Insulating bushing	D=10mm
9	979935	1	Flange screw	
10	977938	1	Flange lock nut	
11	21308514	2	Insulating bushing	D=12mm
12	946472	3	Flange screw	
13	965187	1	Flange screw	Earlier production
14	3807551	1	Bushing	Earlier production
15	3807549	1	Belt tensioner	Earlier production
16	955897	1	Washer	Earlier production
17	3808850	1	Compression spring	Earlier production
18	3818379	1	Spacer	Earlier production
19	3839352	1	Belt tensioner	Earlier production
20	971095	1	Flange nut	Earlier production
21	973924	1	Flange screw	Earlier production
22	968436	4	Flange screw	