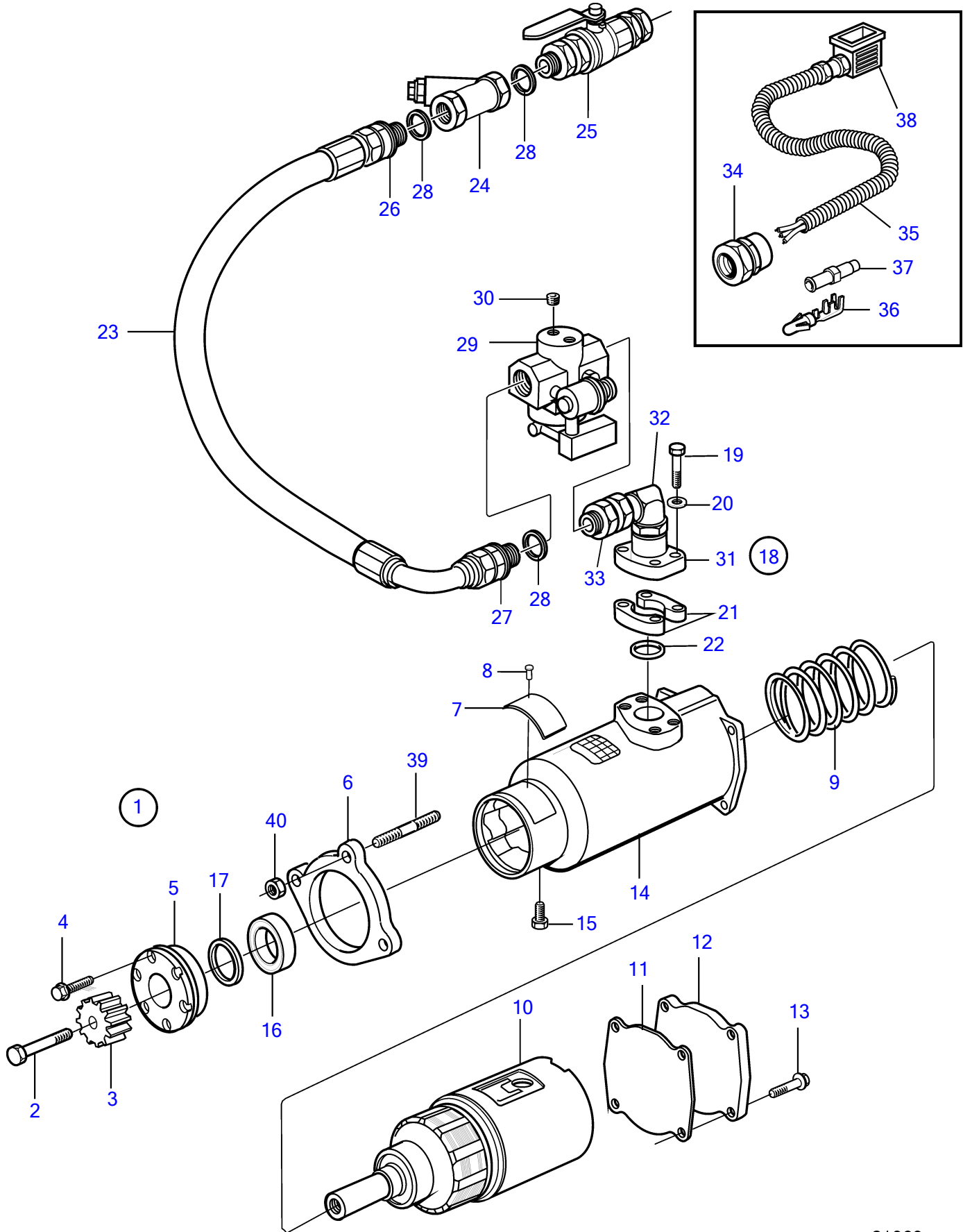


D9A2A D9A-MG



D9A2A D9A-MG

REF	PART NO.	QTY	DESCRIPTION	NOTES
1	3838858	1	Starter motor	
2		1	• Screw	
3	3838859	1	• Starter pinion	
4		6	• Flange screw	
5		1	• Protection	
6		1	• Flange	
7		1	• Type plate	
8		1	• Pin	
9	3830017	1	• Return spring	
10		1	• Rotor	
11		1	• Gasket	
12		1	• Lock	
13		4	• Screw	
14		1	• Housing	
15		1	• Plug	
16	3830024	1	• Bearing	
17	3830025	1	• Sealing	
18	3830026	1	• Inlet flange	
19	956585	4	• • Hex. socket screw	
20	18665	4	• • Gasket	
21		2	• • Connection flange	
22	948700	1	• • O-ring	
23	3829866	1	Hose	
24	3830394	1	• Strainer	
25	21165588	1	• Ball valve	
26	21165655	1	• Nipple	
27	21165586	1	• Nipple	90°
28	993300	3	• Gasket	
29	3829869	1	Control valve	
30	952075	1	Plug	
31	21165591	1	Connection flange	
32	21164611	1	Elbow nipple	
33	21165583	1	Nipple	
34	881190	2	Grommet	
35	3886990	1	Wiring harness	
36	965824	X	Cable terminal	
37	1608765	X	Insulator	
38	866664	1	Housing	
39	953071	3	Stud	
40	471622	3	Flange lock nut	