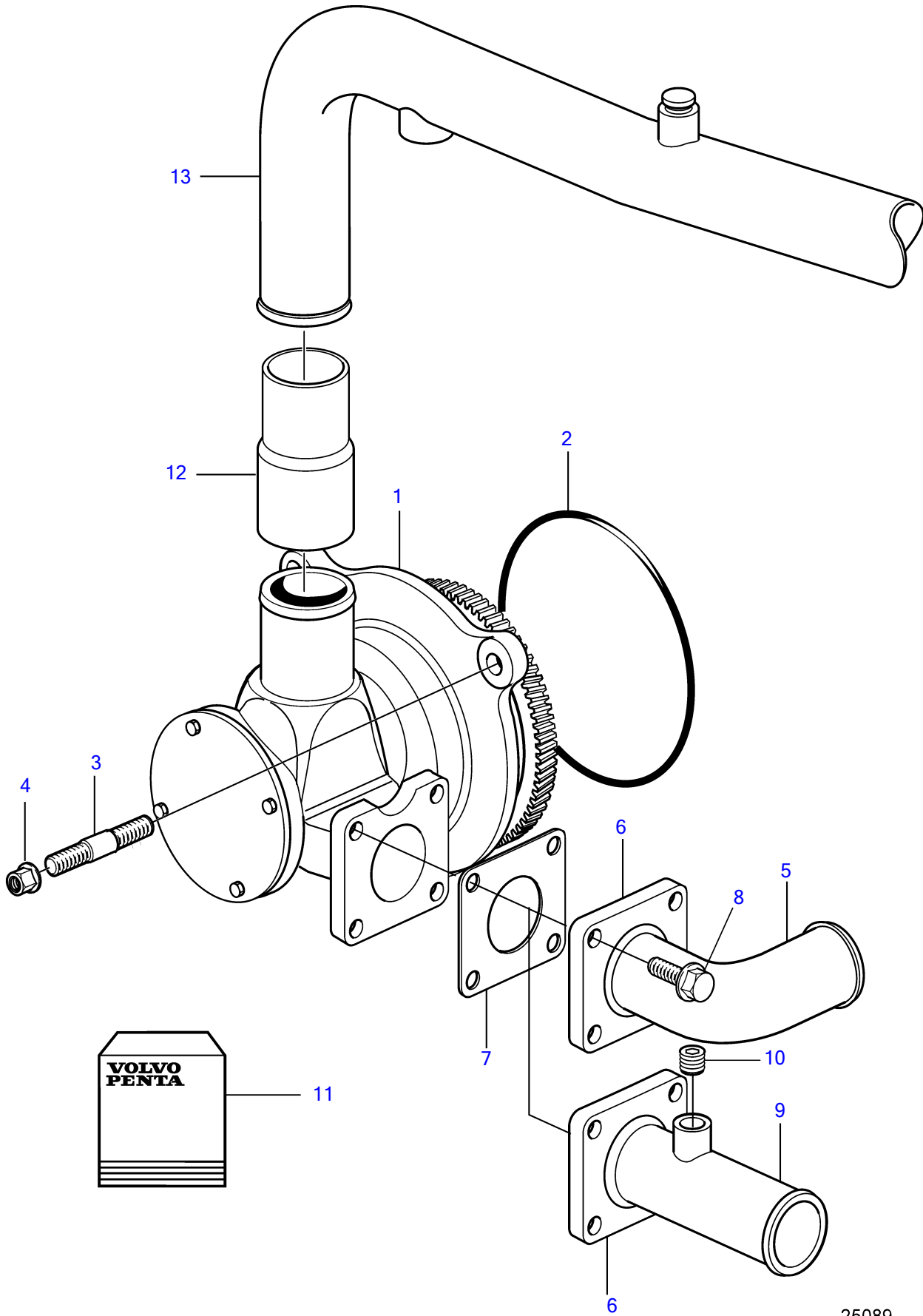


D9A2A D9A-MG, D9A2A MG



D9A2A D9A-MG, D9A2A MG

REF	PART NO.	QTY	DESCRIPTION	SEE SEC.	NOTES
1	21380886	1	Sea water pump		
			•	21520	
			•		
2	949735	1	O-ring		
3	953098	3	Stud		
4	971096	3	Flange nut		
5	848596	1	Hose attachment		
6	842029	1	Flange		
7	3888837	1	Gasket		(862592)
8	946441	4	Flange screw		
9	21120684	1	Pipe		KC
10	968063	1	• Plug		M16
11	3817587	1	Impeller kit		
		1	• Impeller		
	3587885	1	• O-ring		
12	3837438	1	Collar		
13	3843154	1	Coolant pipe		