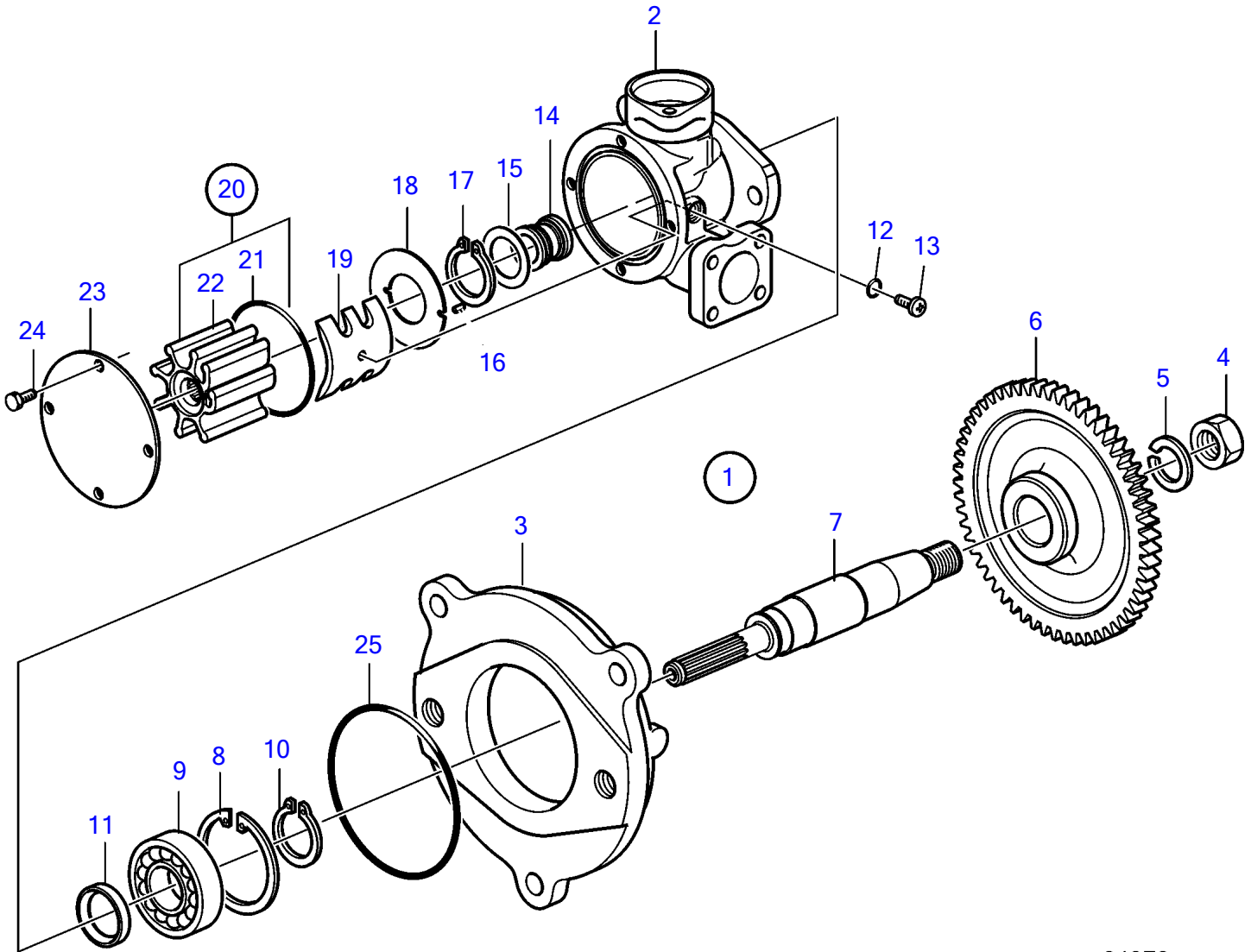


D9A2A D9A-MG



24670

## D9A2A D9A-MG

REF	PART NO.	QTY	DESCRIPTION	NOTES
1	21380886	1	Sea water pump	
2		1	• Pump housing	
3		1	• Bearing housing	
4	3587886	1	• Hexagon nut	
5	941914	1	• Spring washer	Obsolete part
6	3161258	1	• Gear	
7	3587880	1	• Pump shaft	
8	812953	1	• Lock ring	
9	3587881	1	• Bearing	
10	812951	1	• Lock ring	
11	3587882	1	• Sealing	
12	3583614	1	• O-ring	
13	3583605	1	• Hexagon screw	
14	3583609	1	• Sealing	
15	888388	1	• Washer	
16	888387	1	• Pin	
17	809444	1	• Lock ring	
18	807589	1	• Wear washer	
19	3583603	1	• Cam	
20	3817587	1	• Impeller kit	
21	3587885	1	• • O-ring	
22	(3819486)	1	• • Impeller	Obsolete part
23	3587879	1	• End cover	
24	3583605	4	• Hexagon screw	
25	925259	1	O-ring	