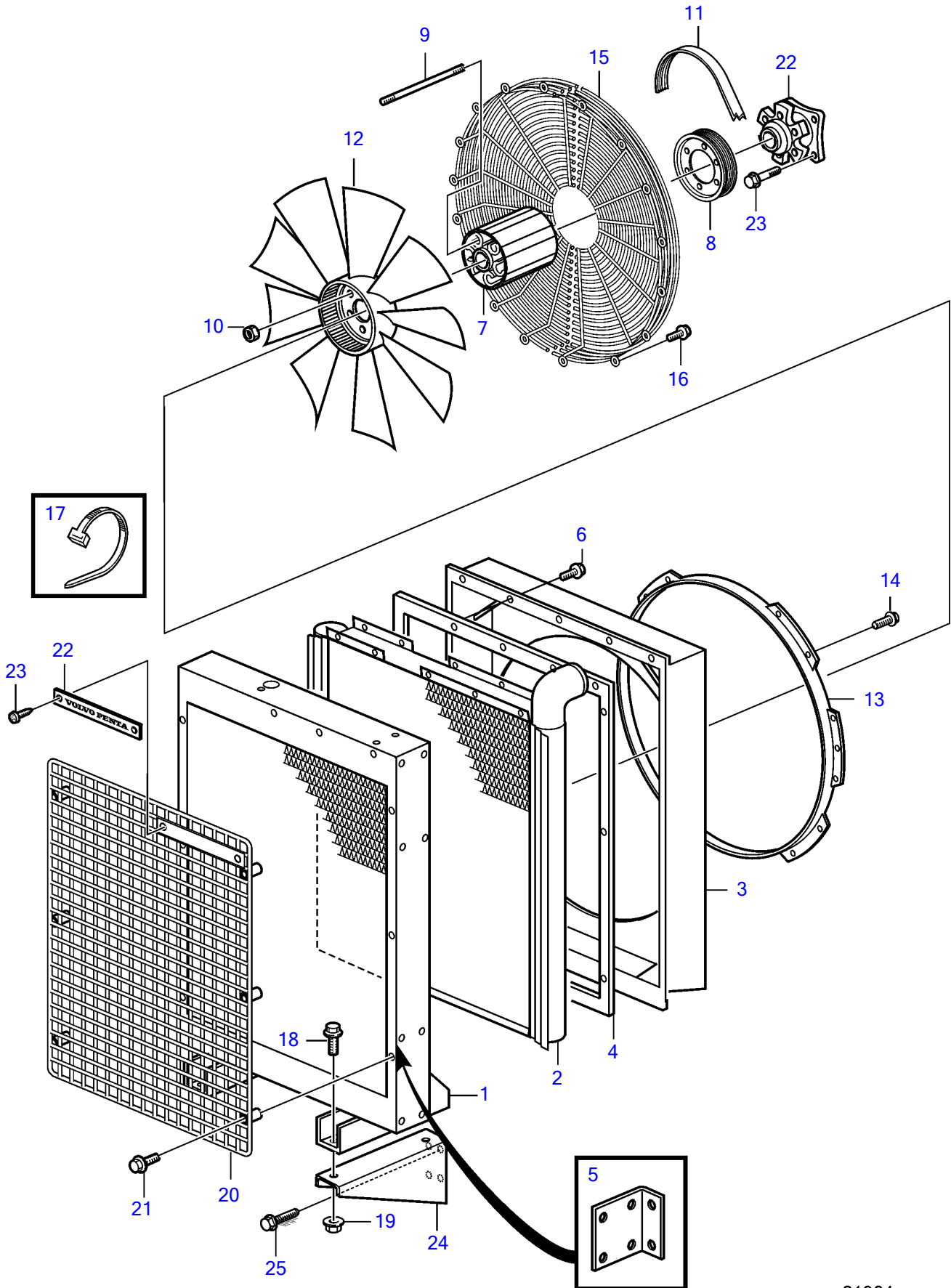


D9A2A D9A-MG



D9A2A D9A-MG

REF	PART NO.	QTY	DESCRIPTION	NOTES
1	888301	1	Radiator	
2	3827870	1	Intercooler	Earlier production. welded pipes. -2008 w23
	40005102	1	Intercooler	Later production. cast iron pipes. 2008 w23-
3	3826684	1	Fan shroud	
4	3827816	1	Sealing strip	
5	3831142	4	Attaching bracket	
6	967949	10	Flange screw	M6x12mm
7	3837740	1	Fan hub	
8	3807446	1	Pulley	
9	981590	6	Stud	
10	971098	6	Flange lock nut	
11	3838617	1	V-ribbed belt	
12	3828964	1	Fan	D=890mm
13	3827612	1	Fan ring	
14	946173	12	Flange screw	M8x20mm
15	3825490	2	Fan guard	
16	946173	12	Flange screw	M8x20mm
17	948211	1	Cable tie	L=270mm
18	946817	8	Flange screw	M12x25mm
19	971096	8	Flange nut	
20	3827871	1	Radiator protector	
21	948217	6	Flange screw	M8x45mm
22	846118	1	Emblem	
23	941651	2	Cross recessed sunk	
24	3808725	2	Bracket	
25	968435	8	Flange screw	