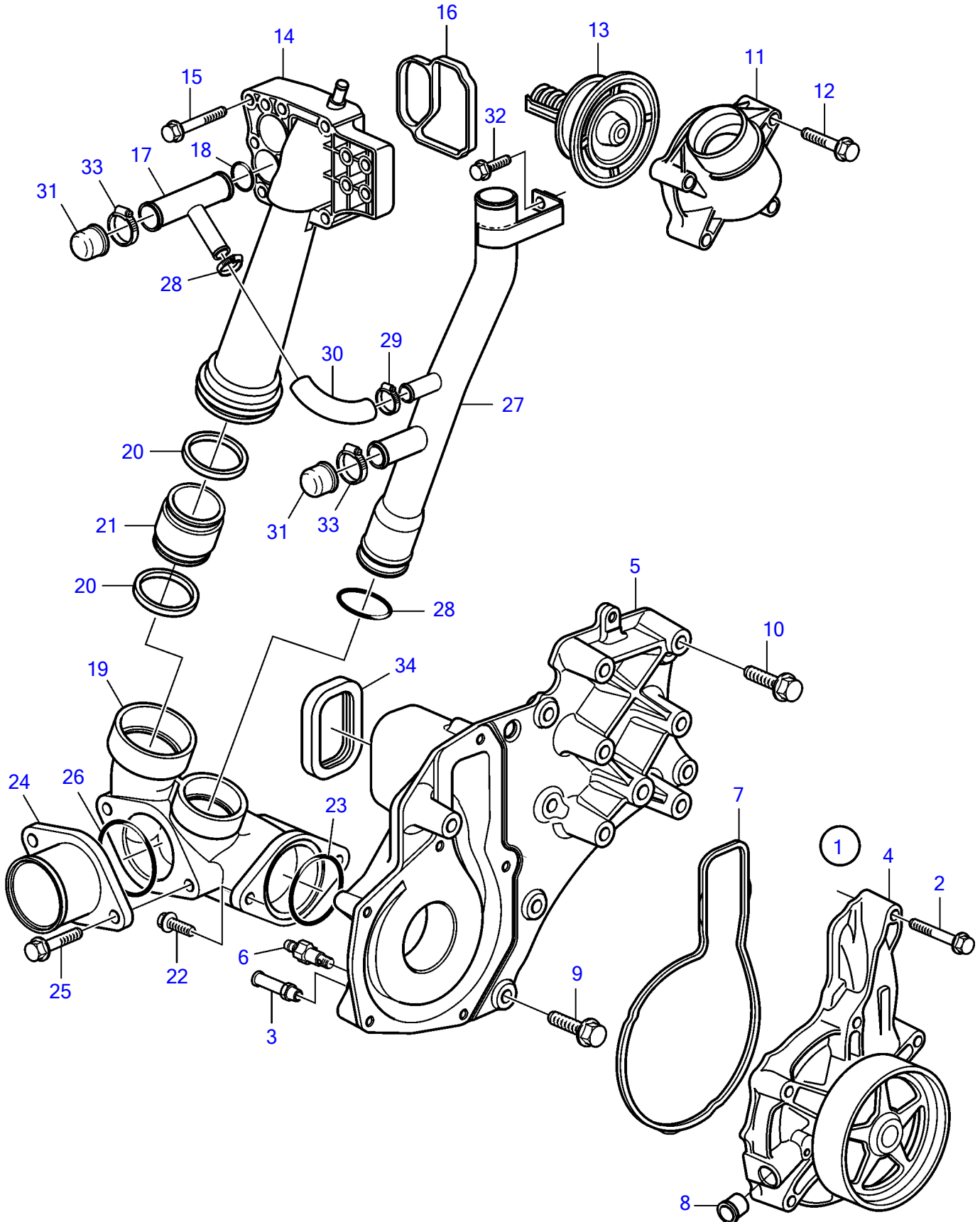


D9A2A D9A-MG



## D9A2A D9A-MG

REF	PART NO.	QTY	DESCRIPTION	NOTES
1		1	Coolant pump	
2	965180	6	• Flange screw	
3	977508	1	• Hose nipple	
4	3161436	1	• Pump unit	For engines with RC
	3803930	1	• Coolant pump, exch	For engines with RC
	3803844	1	• Coolant pump	For engines with HE/KC
5	3808593	1	• Coolant pump housing	
6	3583822	1	• Draining nipple	
7	8131097	1	• Sealing ring	
8	842235	1	• Cardboard tube	
9	946472	6	Flange screw	
10	946440	1	Flange screw	
11	20405125	1	Cover	
12	973924	4	Flange screw	
13	21237213	1	Thermostat	82°C
14	20555313	1	Connection pipe	
15	973924	5	Flange screw	
16	20479636	1	Sealing strip	
17	3838856	1	Coolant pipe	
18	1547252	1	Sealing ring	
19	3836307	1	Coolant pipe	
20	975675	1	O-ring	
21	21021925	1	Connection pipe	
22	965184	2	Flange screw	
23	1547254	2	Sealing ring	
24	3943401	1	Coolant pipe	Replaced by 21540345
	21540345	1	Coolant pipe	Replaced by 21843564
	21843564	1	Coolant pipe	
25	946173	2	Flange screw	
26	975675	1	O-ring	
27	3837738	1	Coolant pipe	
28	1547253	1	Sealing ring	
29	943474	2	Hose clamp	
30	21339891	1	Hose	L=130mm
31	845422	2	Plastic plug	
32	947760	1	Flange screw	
33	943472	4	Hose clamp	
34	20430678	1	Sealing ring	