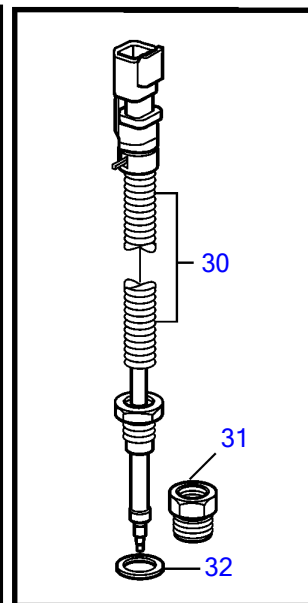
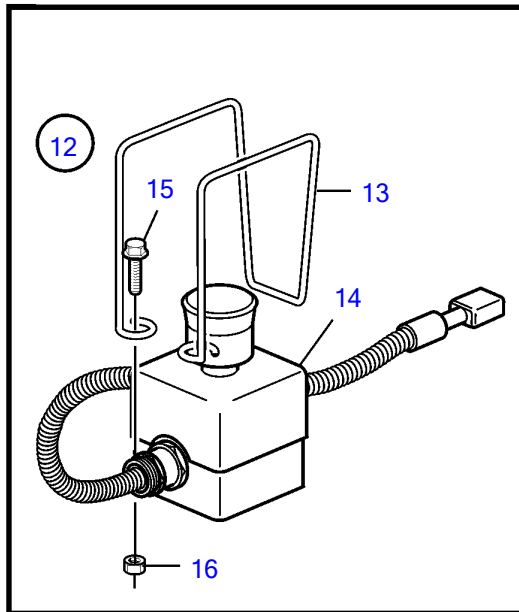
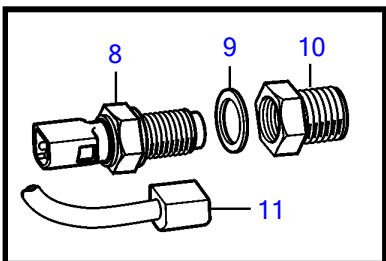
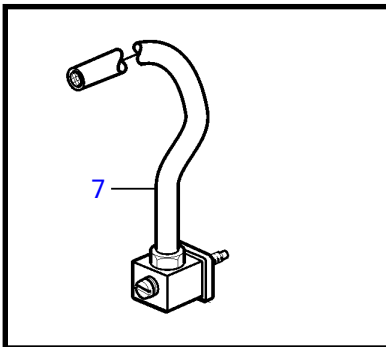
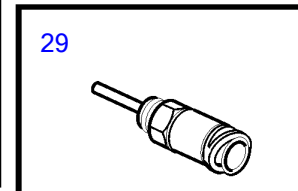
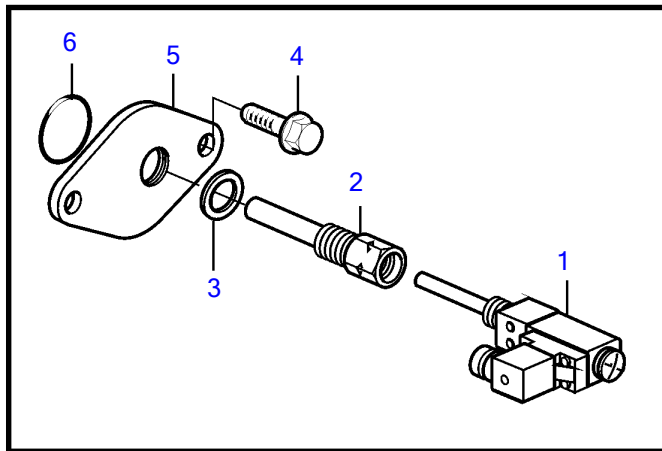
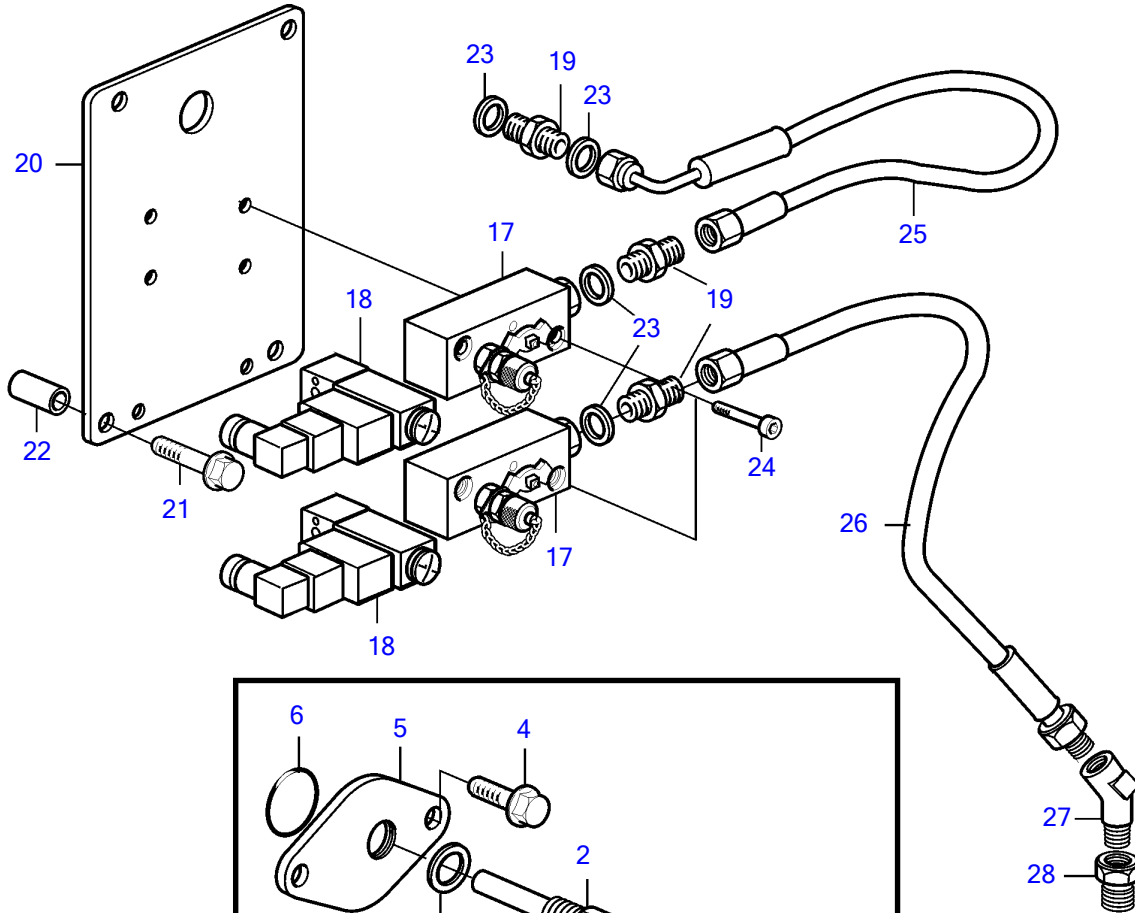


D9A2A D9A-MG



D9A2A D9A-MG

REF	PART NO.	QTY	DESCRIPTION	NOTES
1	881869	1	Thermo monitor, coolant water/oil temp.	
2	873715	1	Sleeve	
3	11994	1	Gasket	
4	946671	2	Flange screw	
5	3818686	1	Cardboard tube	
6	975675	1	O-ring	
7	3588563	1	Wiring harness	Extension cable for sensors, shut down., L=2,0m
	3588564	1	Wiring harness	Extension cable for sensors, shut down., L=13.0' (4.0m)
8	862251	1	Tachometer sensor	
9	948884	1	Gasket	
10	872939	1	Adapter	
11	3819589	1	Wiring harness	
12			Switch	
13	3838198	1	Protecting brace	
14	3588154	1	Emergency stop	
15	946440	2	Flange screw	
16	945408	2	Flange nut	
17	3831442	2	Block	
18	881871	2	Pressure monitor, coolant water/oilpressure	0-4bar
19	957030	2	Nipple	
20	3818709	1	Bracket	
21	947107	4	Flange screw	
22	847238	4	Spacer sleeve	Obsolete part
23	11994	4	Gasket	
24	947671	4	Hex. socket screw	
25	3835380	1	Hose	
26	3835281	1	Oil hose	
27	809109	1	Elbow nipple	
28	947899	1	Reduction nipple	
29	874327	1	Level guard	
30	21126692	1	Temperature sensor	
31	21589402	1	Adapter	
32	947626	1	Gasket	