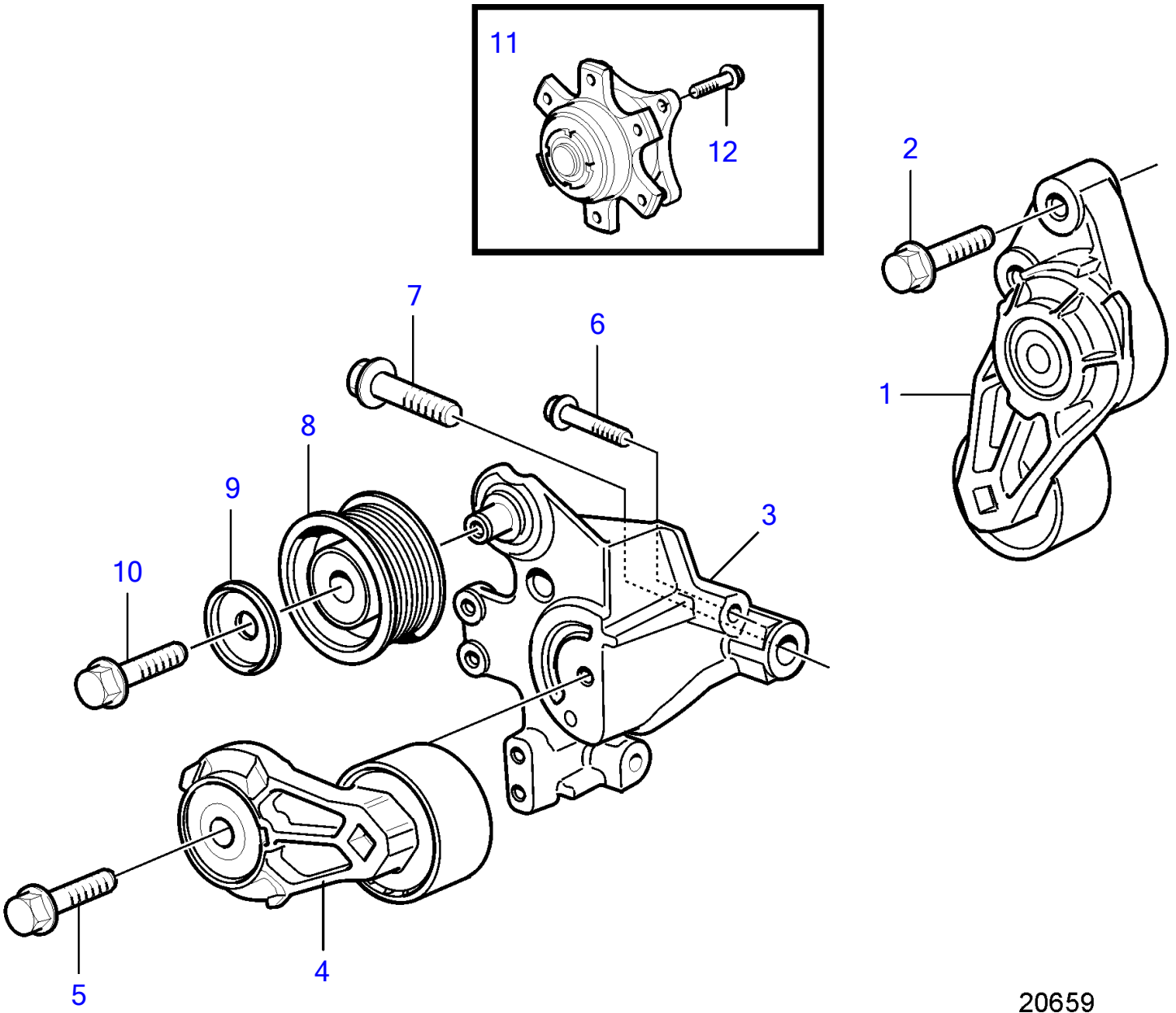


D9A2A D9A-MG



20659

D9A2A D9A-MG

REF	PART NO.	QTY	DESCRIPTION	NOTES
1	20762060	1	Belt tensioner	
2	965220	2	Flange screw	M10x45mm
3	20590012	1	Bracket	
4	20739751	1	Belt tensioner	Replaced by 20935521
	20935521	1	Belt tensioner	Replaced by 21422765
	21422765	1	Belt tensioner	
5	965188	1	Flange screw	M10x70mm
6	965186	2	Flange screw	M10x50mm
7		1	Flange screw	
8	20851842	1	Idler pulley	
9	8097084	1	• Cover	
10	946441	1	Flange screw	M10x20mm
11	3828804	1	Bearing housing	
12	946472	4	Flange screw	