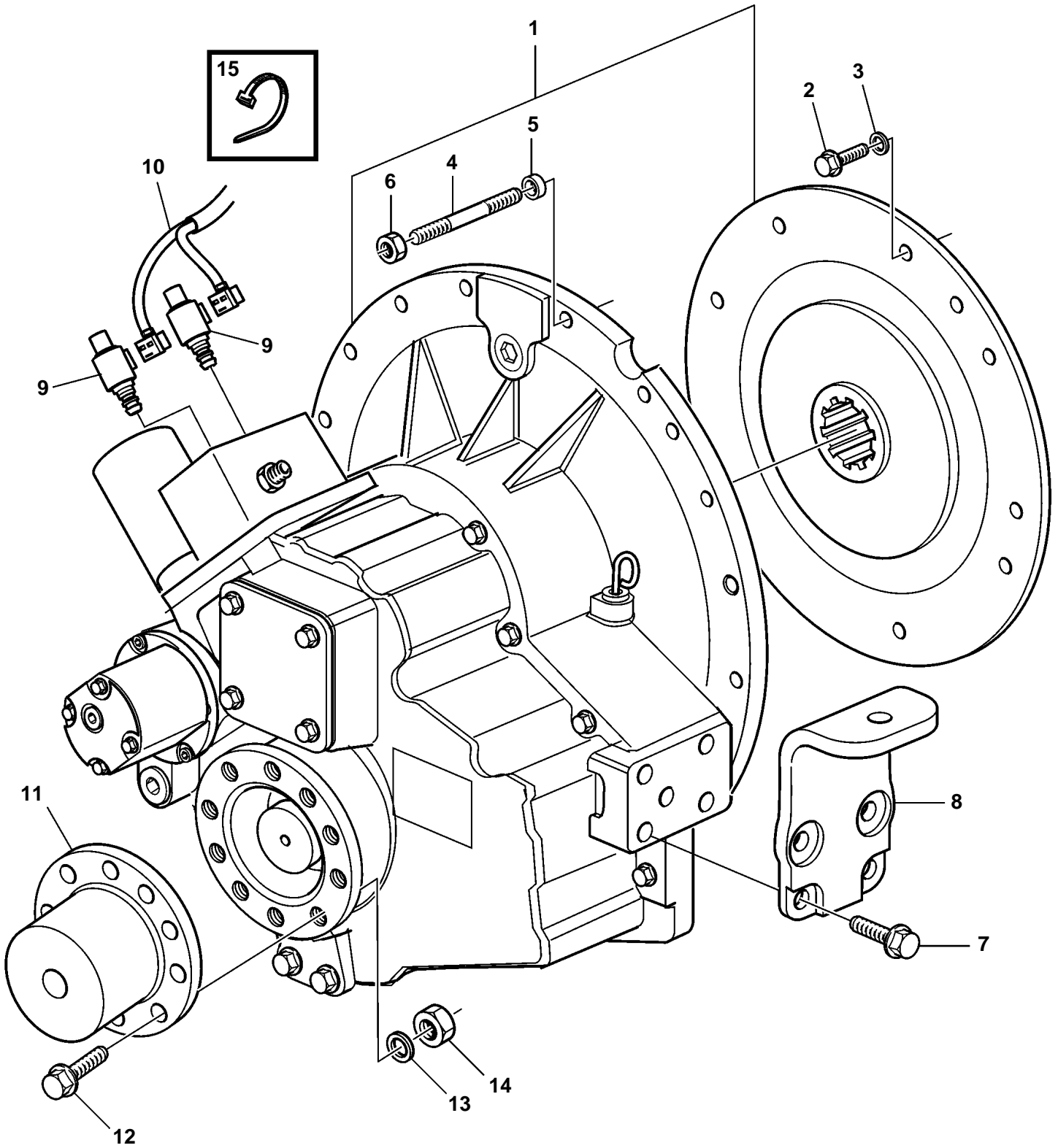


D9A2A 425, 500, 575, D9A2A MH



20810

D9A2A 425, 500, 575, D9A2A MH

REF	PART NO.	QTY	DESCRIPTION	NOTES
1		1	Reversing gear	RATIO 1.51:1
		1	Reversing gear	RATIO 1.75:1
		1	Reversing gear	
2	970954	8	Screw	
3	976945	8	Washer	
4	479972	12	Stud	
5	823575	12	Spacer sleeve	
6	971089	12	Lock nut	
7	975125	8	Flange screw	
8	3808128	2	Engine mountings	
9	3827257	2	Solenoid	12V
	3826414	2	Solenoid	24V
10	874619	1	Wiring harness	
11	3589507	1	Clutch flange	
12		10	Screw	
13	941912	10	Spring washer	
14		10	Lock nut	
15	948211	X	Strip clamp	