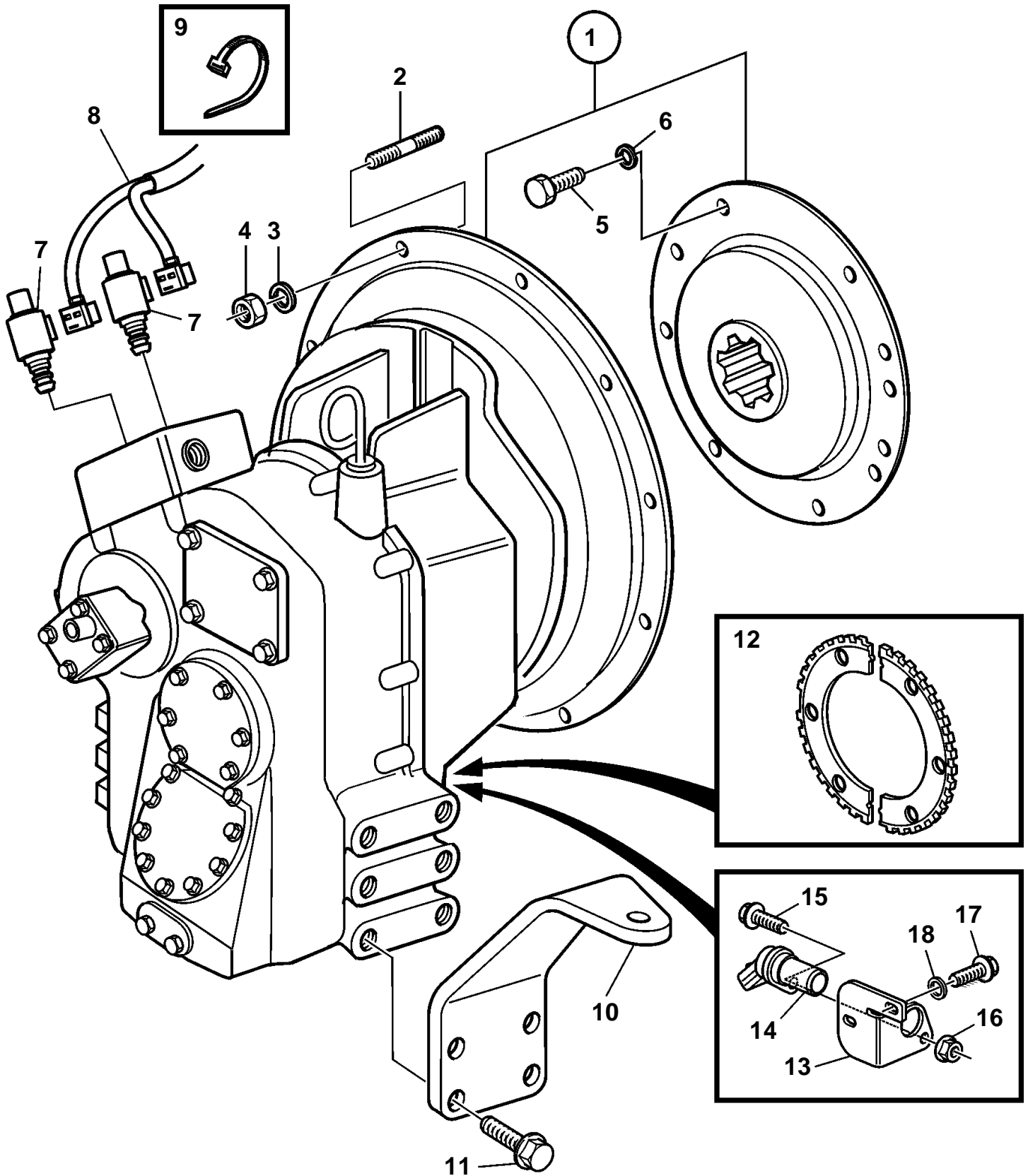


D9A2A 425, 500, 575



22346

D9A2A 425, 500, 575

REF	PART NO.	QTY	DESCRIPTION	NOTES
1		1	Reversing gear	RATIO 1.56:1
		1	Reversing gear	RATIO 1.77:1
			Comps. not spec.	
2	479972	12	Stud	
3	823575	12	Spacer sleeve	
4	971089	12	Lock nut	
5	959238	8	Screw	
6	940097	8	Washer	
7	3827257	2	Solenoid	12V
	3826414	2	Solenoid	24V
8	874619	1	Wiring harness	
9	948211	X	Strip clamp	
10	3589514	2	Engine mountings	
11	975125	8	Flange screw	
12	3842084	2	Gear ring	
13	3841063	1	Bracket	
14	967949	2	Screw	
15	949607	2	Spring washer	
16	20513343	1	Tachometer sensor	
17	946544	1	Flange screw	
18	949278	1	Lock nut	