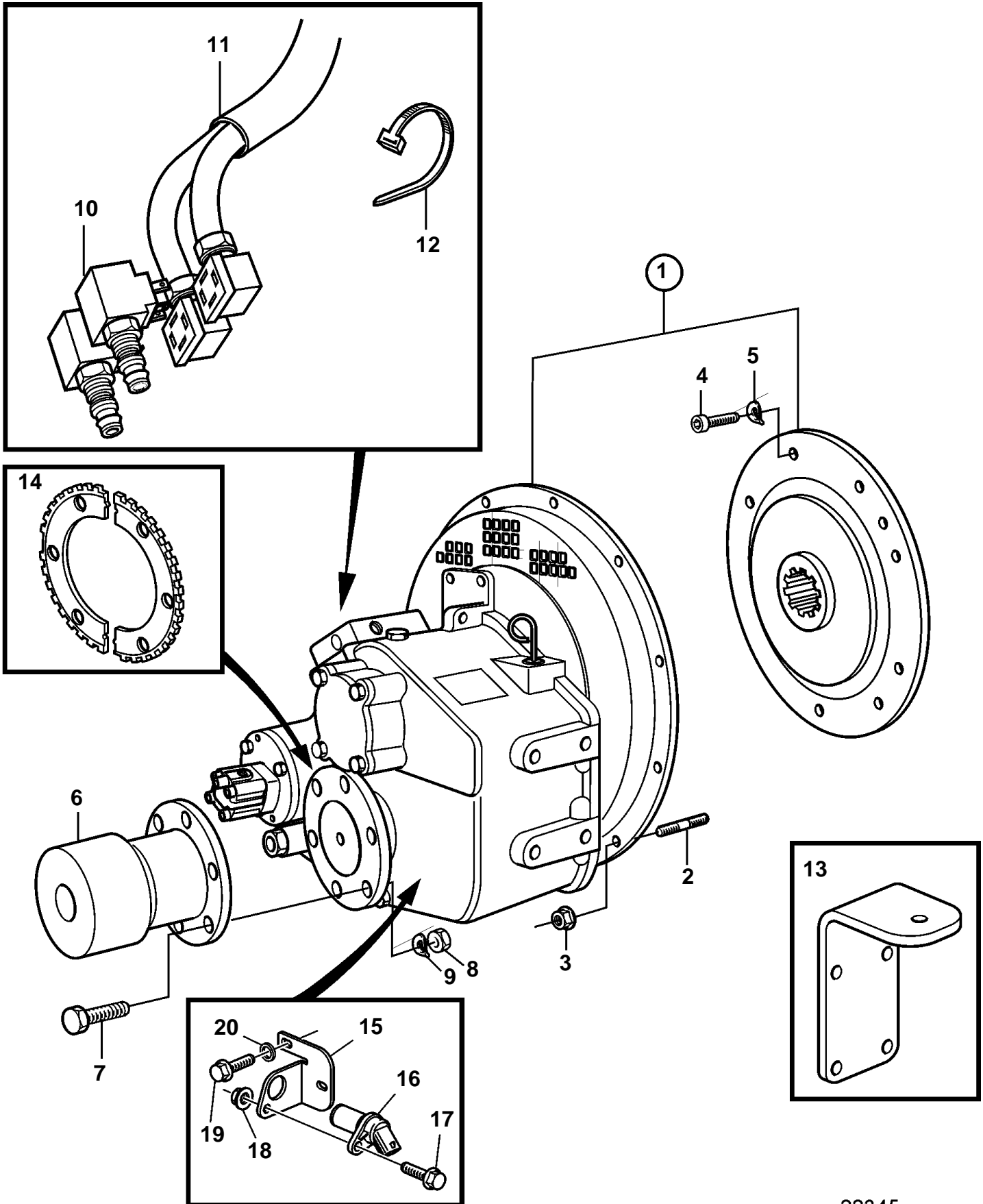


D9A2A 425, 500, 575



D9A2A 425, 500, 575

REF	PART NO.	QTY	DESCRIPTION	NOTES
1		1	Reversing gear	RATIO 1.48:1
		1	Reversing gear	RATIO 1.77:1
		1	Reversing gear	RATIO 2.00:1
			Comps. not spec.	
2	479972	12	Stud	
3	971089	12	Lock nut	
4	959238	8	Screw	
5	940097	8	Washer	
6	842106	1	Clutch flange	
7	955739	6	Screw	
8	950378	6	Nut	
9	941912	6	Spring washer	
10	3827257	2	Solenoid	12V
	3826414	2	Solenoid	24V
11	874619	1	Wiring harness	
12	948211	X	Strip clamp	
13	888229	2	Engine mountings	L=135mm
		2	Engine suspension	L=175mm
14	3842084	2	Gear ring	
15	3841063	1	Bracket	
16	967949	2	Screw	
17	949607	2	Spring washer	
18	20513343	1	Tachometer sensor	
19	946544	1	Flange screw	
20	949278	1	Lock nut	