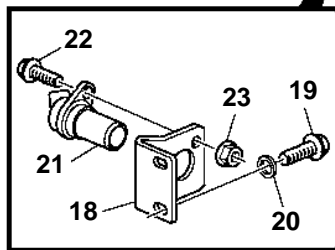
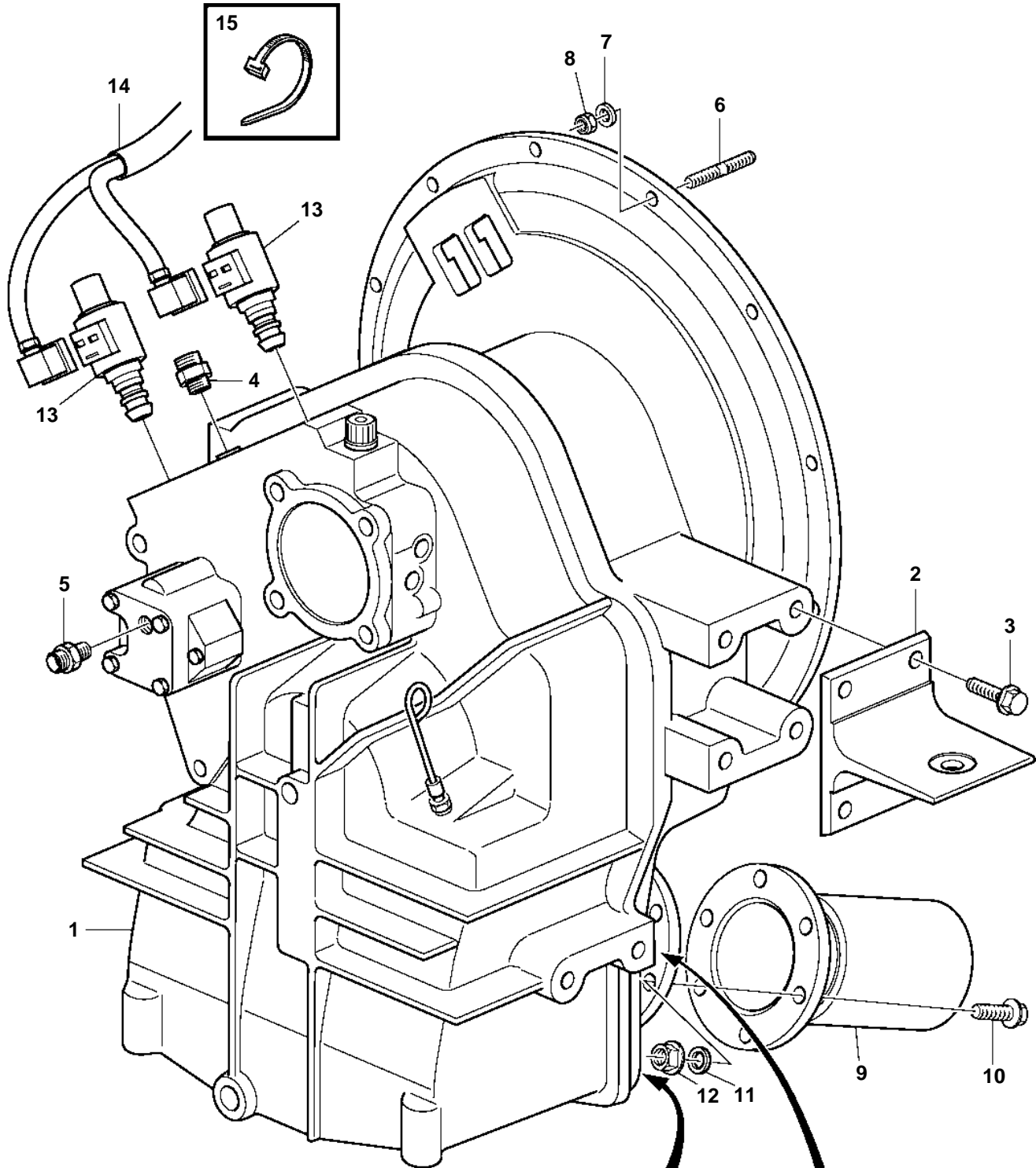
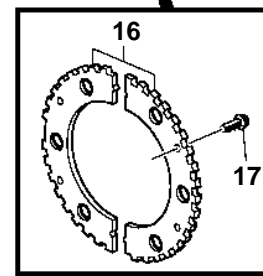


D9A2A 425, 500, 575, D9A2A MH



22349



22349

7746900 - 44 - 7541

Upd: 17 MAY 2006

D9A2A 425, 500, 575, D9A2A MH

REF	PART NO.	QTY	DESCRIPTION	NOTES
1		1	Reversing gear	RATIO 1.49:1
		1	Reversing gear	RATIO 1.72:1
			Comps. not spec.	
2	3589468	2	Engine mountings	
3	975125	8	Flange screw	
4	192639	1	Nipple	
5	984668	1	Nipple	
6	479972	12	Stud	
7	823575	12	Spacer sleeve	
8	971089	12	Lock nut	
9	3828558	1	Clutch flange	
10	955739	6	· Screw	
11	941912	6	· Spring washer	
12	950378	6	· Nut	
13	3827257	2	Solenoid	
14	874619	1	Wiring harness	
15	948211	X	Strip clamp	
16	3819857	2	Sensor wheel	
17	945358	4	Flange screw	
18	3819870	1	Bracket	
19	946440	2	Flange screw	
20	941907	2	Spring washer	
21	20513343	1	Tachometer sensor	
22	946544	1	Flange screw	
23	949278	1	Lock nut	