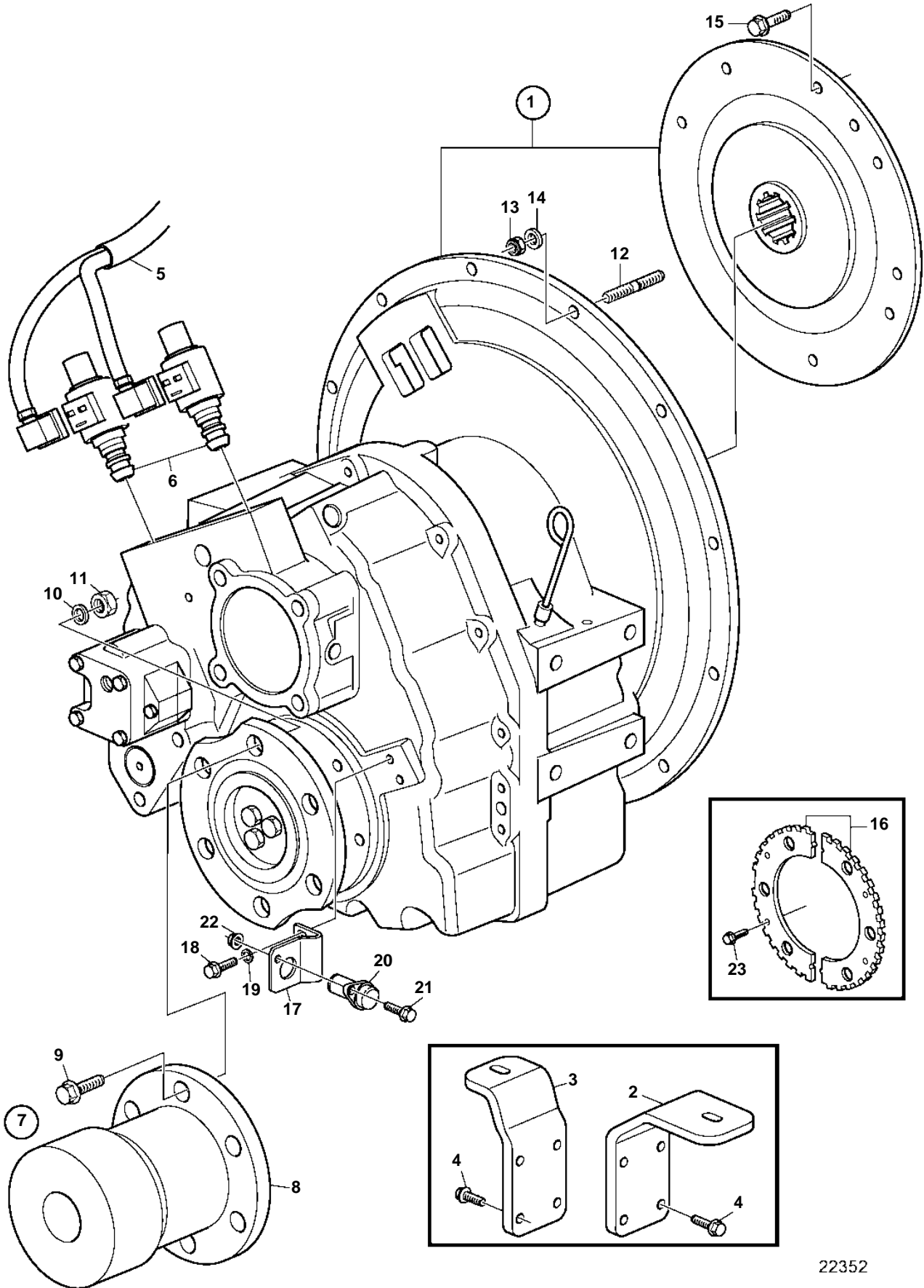


D9A2A 425, 500, 575, D9A2A MH



22352

D9A2A 425, 500, 575, D9A2A MH

REF	PART NO.	QTY	DESCRIPTION	NOTES
1		1	Reversing gear	RATIO 1.47:1
		1	Reversing gear	RATIO 1.72:1
		1	Reversing gear	RATIO 2.04:1
			Comps. not spec.	
2	3840122	1	Engine mountings, right	
3	3840121	1	Engine mountings, left	
4	975126	8	Flange screw	
5	3819944	1	Wiring harness	
6	3828564	2	Solenoid	12V
	3828565	2	Solenoid	24V
7	3828558	1	Clutch flange, set	
8		1	· Clutch flange	
9	955739	6	· Screw	
10	941912	6	· Spring washer	
11	950378	6	· Nut	
12	479972	12	Stud	
13	971098	12	Flange lock nut	
14	942336	12	Spring washer	
15	965185	8	Flange screw	
16	3819857	2	Sensor wheel	
17	3819925	1	Bracket	
18	946440	2	Flange screw	
19	941907	2	Spring washer	
20	20513343	1	Tachometer sensor	
21	946544	1	Flange screw	
22	949278	1	Lock nut	
23	945358	4	Flange screw	