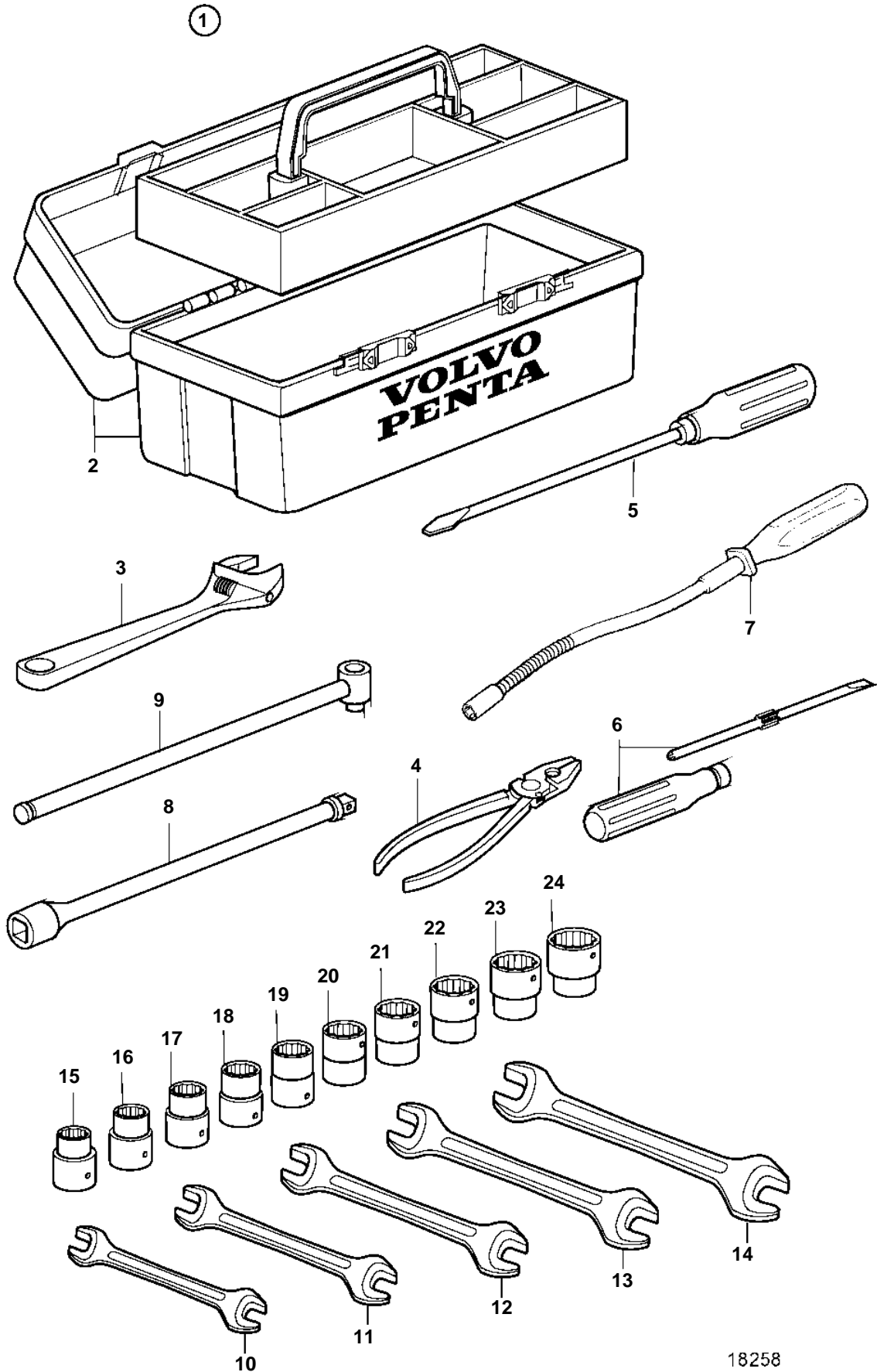


D9A2A 425, 500, 575, D9A2A MH



18258

D9A2A 425, 500, 575, D9A2A MH

REF	PART NO.	QTY	DESCRIPTION	NOTES
1	3832808	1	Tool kit	(849167)
2	842021	1	• Tool box	
3		1	• Adjustable wrench	
4		1	• Pliers	
5	804771	1	• Screwdriver	
6		1	• Screwdriver	
7	884573	1	• Tool	
8		1	• Extension	
9		1	• Jointed handle	
10		1	• Open-end wrench	10-11mm
11		1	• Open-end wrench	12-13mm
12		1	• Open-end wrench	14-15mm
13		1	• Open-end wrench	17-19mm
14		1	• Open-end wrench	22-24mm
15		1	• Sleeve	10mm
16		1	• Sleeve	11mm
17		1	• Sleeve	12mm
18		1	• Sleeve	13mm
19		1	• Sleeve	14mm
20		1	• Sleeve	15mm
21		1	• Sleeve	17mm
22		1	• Sleeve	19mm
23		1	• Sleeve	22mm
24		1	• Sleeve	30mm