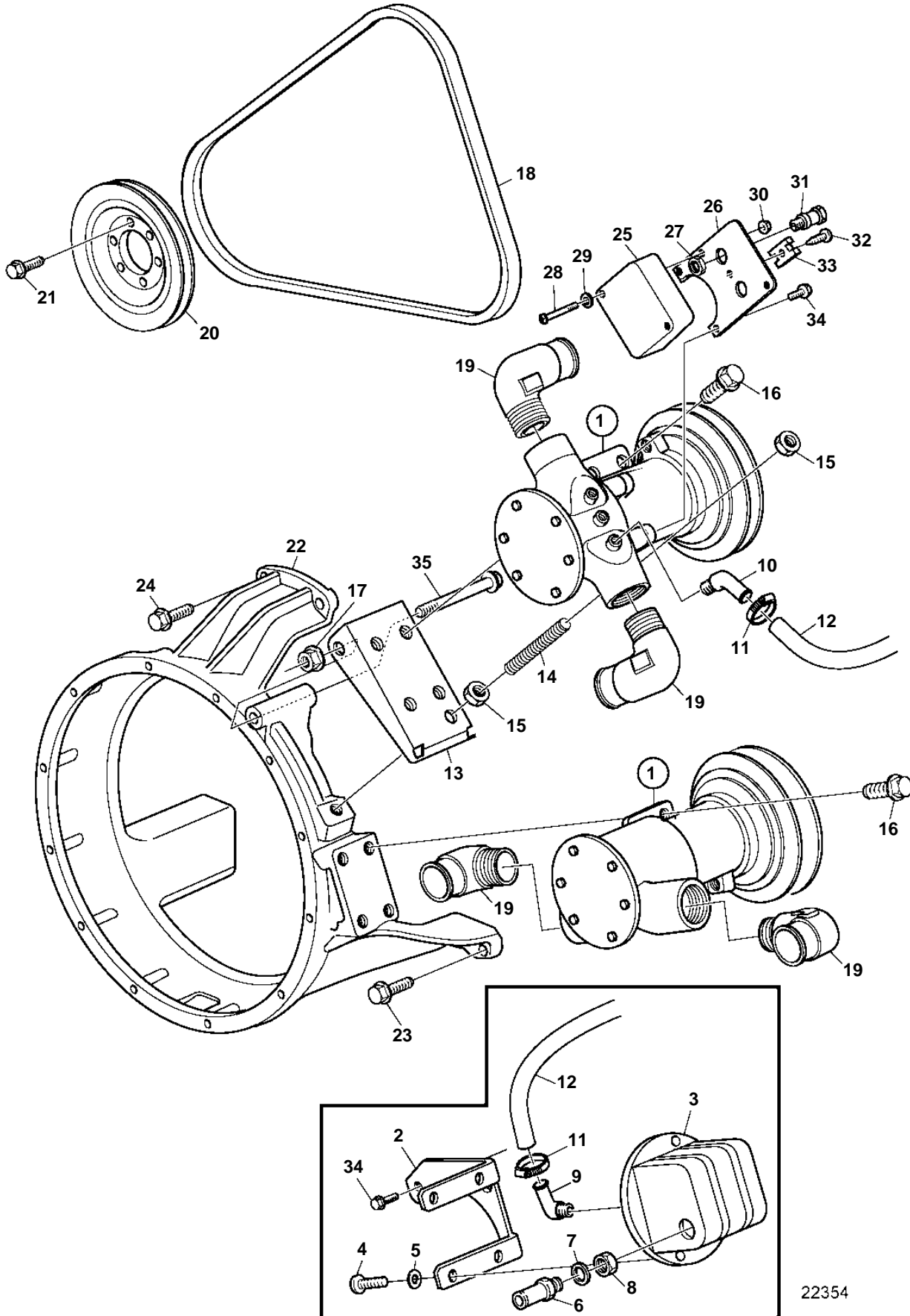


D9A2A MH



22354

D9A2A MH

REF	PART NO.	QTY	DESCRIPTION	SEE SEC.	NOTES
1	846105	2	Bilge pump		2"
				1014	
2	846218	1	Bracket		
3	1144047	1	Switch		
4		4	Screw		
5	941904	4	Spring washer		
6	822327	1	Cable union		Sealing diameter 8,5mm-11,5mm.
	881192	1	Cable union		Sealing diameter 12,5mm-15mm.
7	957187	2	Washer		
8	880243	2	Nut		
9	947681	1	Elbow nipple		
10	479953	1	Elbow nipple		
11	961663	2	Clamp		
12	943367	X	Hose		
13	3809196	1	Belt tensioner		
14		1	· Stud		
15		2	· Nut		
16	946472	8	Screw		
17	977938	1	Flange lock nut		
18	990684	1	V-belt		
19	813644	4	Hose attachment		
20	3587499	1	Pulley		
21	946671	6	Flange screw		
22	3841338	1	Bracket		
23	965192	4	Flange screw		
24	965185	2	Flange screw		
25	837392	1	Cover		
26		1	Bracket		
27	880243	2	Nut		
28	956301	2	Screw		
29	941905	2	Spring washer		
30	955780	2	Nut		
31	822327	1	Cable union		
	881192	1	Cable union		
32	956049	1	Screw		
33	926219	1	Coupling piece		
34	955525	4	Screw		
35	946474	1	Screw		