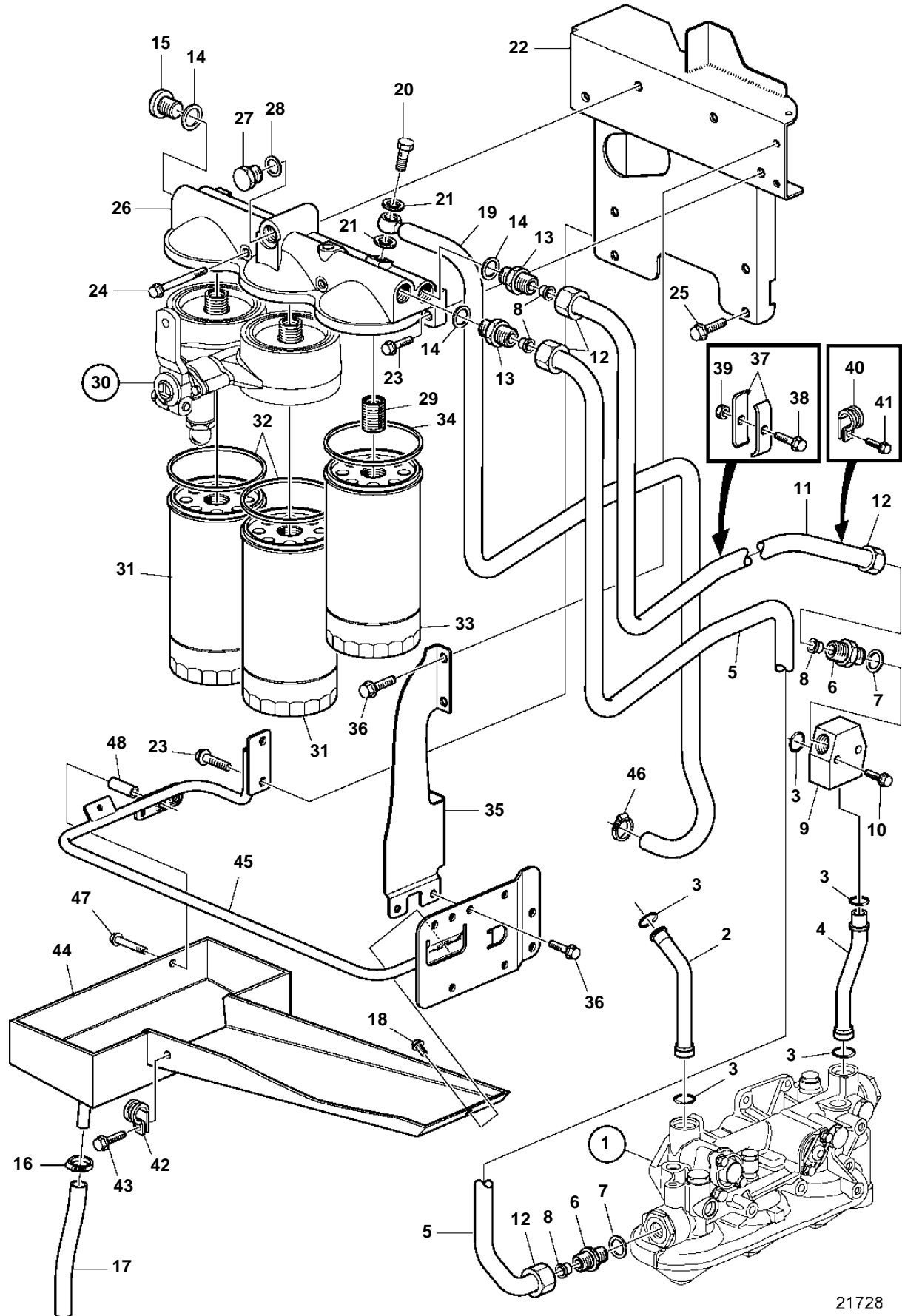


D9A2A MH



Upd: 17 MAY 2006

21728

21728

7746900 - 22 - 8441

D9A2A MH

REF	PART NO.	QTY	DESCRIPTION	SEE SEC.
1	3587347	1	Oil filter housing	7429
2	3161223	1	Oil pipe	
3	471626	5	Sealing ring	
4	3839295	1	Oil pipe	
5	3836301	1	Oil pipe	
6	982254	2	Nipple	
7	948885	2	Gasket	
8	956973	4	Ferrule	
9	3587590	1	Connector	
10	965180	2	Flange screw	
11	3836300	1	Oil pipe	
12	956987	4	Fitting nut	
13	948170	2	Nipple	
14	977937	4	Gasket	
15	1698627	2	Plug	
16	9135343	1	Retainer	
17		1	Hose	
18	967949	2	Screw	
19	3838516	1	Oil hose	
20	25167	1	Hollow screw	
21	982723	2	Gasket	
22	3817739	1	Bracket	
23	946472	2	Screw	
24	969313	2	Flange screw	
25	966356	4	Flange screw	
26	11127988	1	Oil filter housing	
27	471598	1	Plug	
28	947627	1	Gasket	
29	466623	2	Nipple	
30		1	Valve housing	8444
31	478736	2	Oil filter	
32		2	• Gasket	
33	477556	1	Oil filter	
34		1	• Gasket	
35	3817750	1	Bracket	
36	946440	4	Flange screw	
37	947219	4	Clamp	
38	965176	2	Screw	
39	945407	2	Flange nut	
40	952632	1	Clamp	
41	947107	1	Flange screw	
42	952629	1	Clamp	
43	967949	1	Screw	
44	3819756	1	Drip protection	
45	3839051	1	Bracket	
46	943471	1	Hose clamp	
47	946441	2	Screw	
48		2	Spacer sleeve	