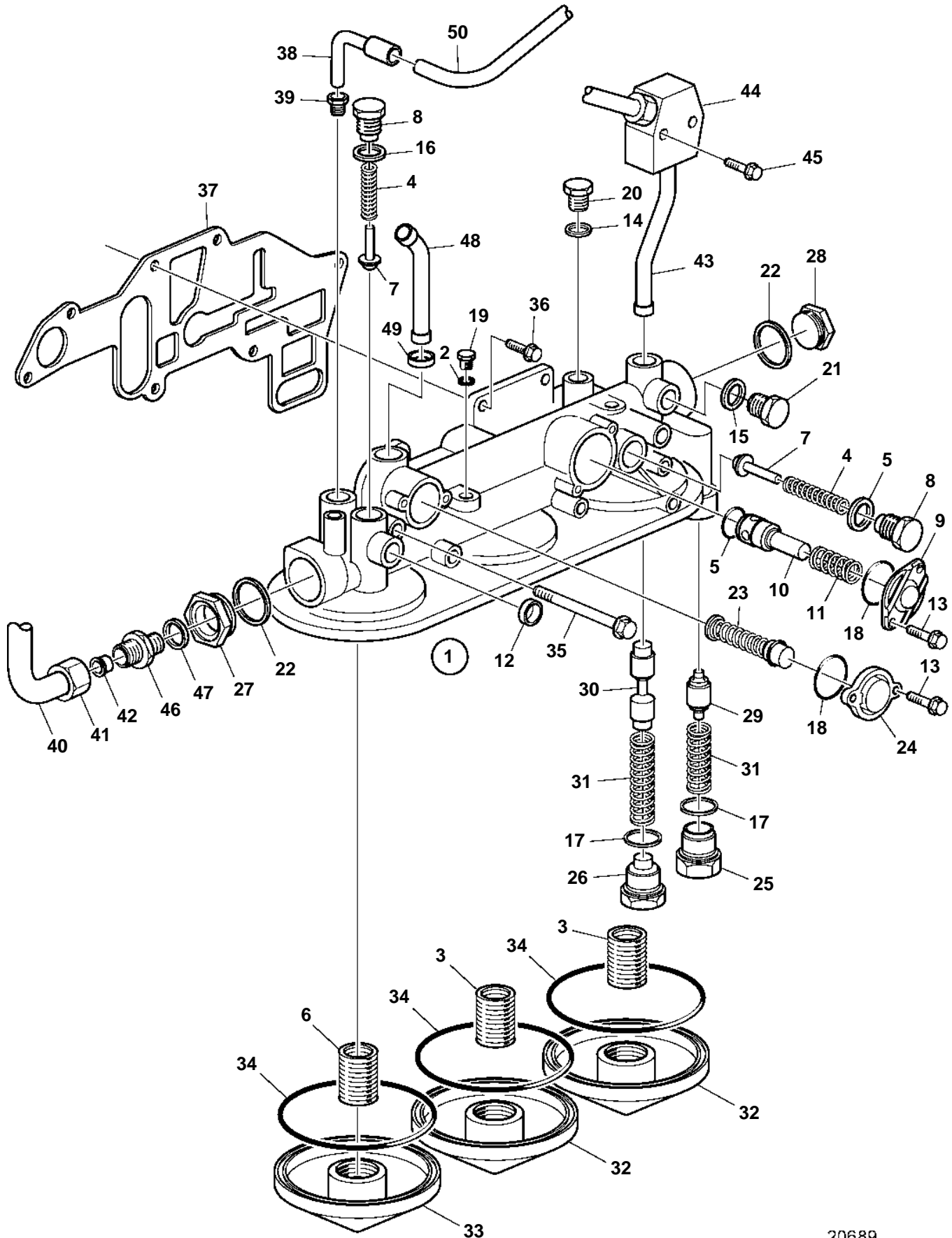


D9A2A 425, 500, 575



D9A2A 425, 500, 575

REF	PART NO.	QTY	DESCRIPTION
1	3587347	1	Oil filter housing
2	11994	1	• Gasket
3	466623	2	• Nipple
4	466653	2	• Spring
5	469846	1	• Sealing ring
6	469904	1	• Nipple
7	471085	2	• Valve, overflow valve
8	471598	2	• Plug
9	471648	1	• Cover
10	471706	1	• Reducing valve
11	469332	1	• • Spring
12	946778	1	• Cap plug
13	947542	4	• Screw
14	947622	1	• Gasket
15	947624	1	• Gasket
16	947627	2	• Gasket
17	947629	2	• Gasket
18	949659	2	• O-ring
19	960629	1	• Plug
20	960631	1	• Plug
21	960632	1	• Plug
22	982510	2	• Gasket
23	3169687	1	• Delivery valve, by-pass
24	3184806	1	• Cover
25	3587204	1	• Plug
26	3587240	1	• Plug
27	3839443	1	• Connector
28	3588439	1	• Plug
29	20440779	1	• By-pass valve, piston cooling
30	20440781	1	• Piston, control valve
31	20464676	2	• Spring
32	3812511	2	Cover
33	3812510	1	Cover
34	948981	3	O-ring
35	969225	3	Flange screw
36	946173	3	Flange screw
37	20480827	1	Gasket
38	3819994	1	Oil feed hose
39	471598	1	Plug
40	3836301	1	Oil pipe
41	956987	2	• Fitting nut
42	956973	2	• Ferrule
43	3839295	1	Oil pipe
44	3587590	1	Connector
45	965180	2	Flange screw
46	982254	1	Nipple
47	948885	1	Gasket
48	3161223	1	Oil pipe
49	471626	1	Sealing ring
50	3819994	1	Oil feed hose