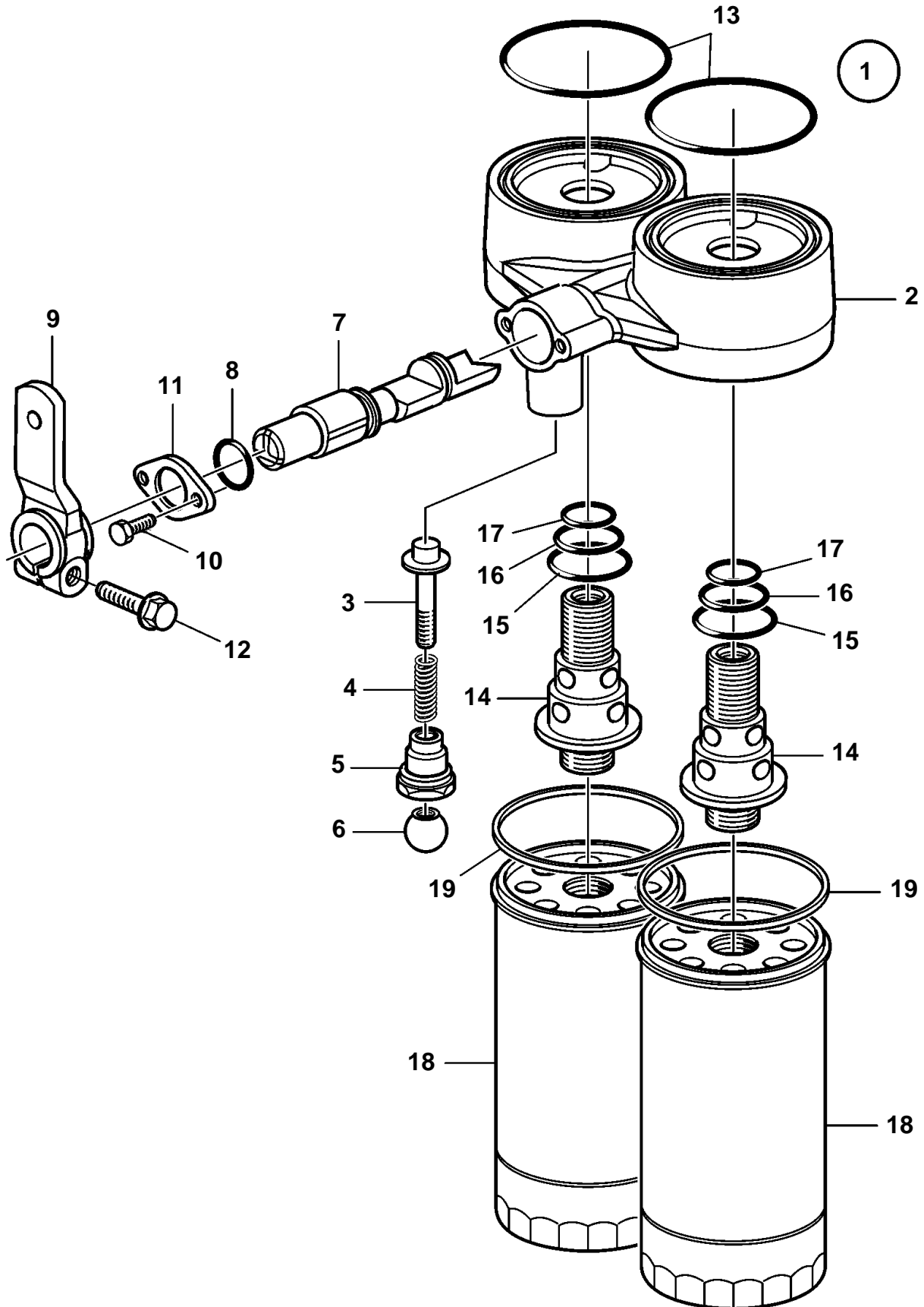


D9A2A MH



D9A2A MH

REF	PART NO.	QTY	DESCRIPTION
1	3829976	1	Valve housing
2		1	· Valve housing
3	3830181	1	· Pin
4	466653	1	· Spring
5	3830176	1	· Sleeve
6	940344	1	· Ball
7	3826152	1	· Shift valve
8	949657	1	· O-ring
9	842912	1	· Flange
10	946544	2	· Flange screw
11	964408	1	· Lever
12	946752	1	· Flange screw
13	948981	2	O-ring
14	3829975	2	Nipple
15	969415	2	O-ring
16	948610	2	O-ring
17	3165747	2	O-ring
18	478736	2	Oil filter
19		2	· Gasket