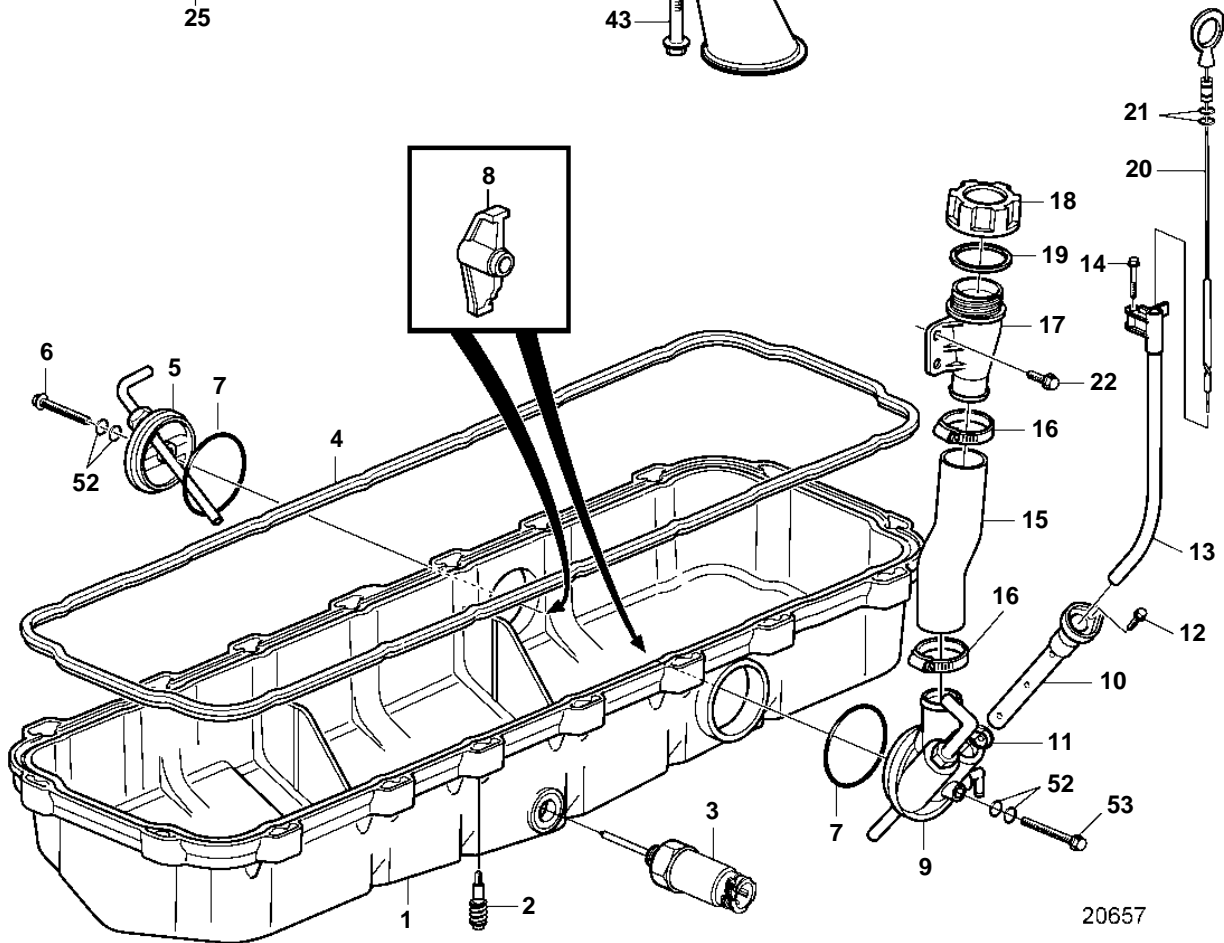
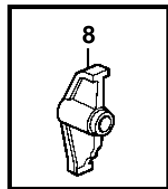
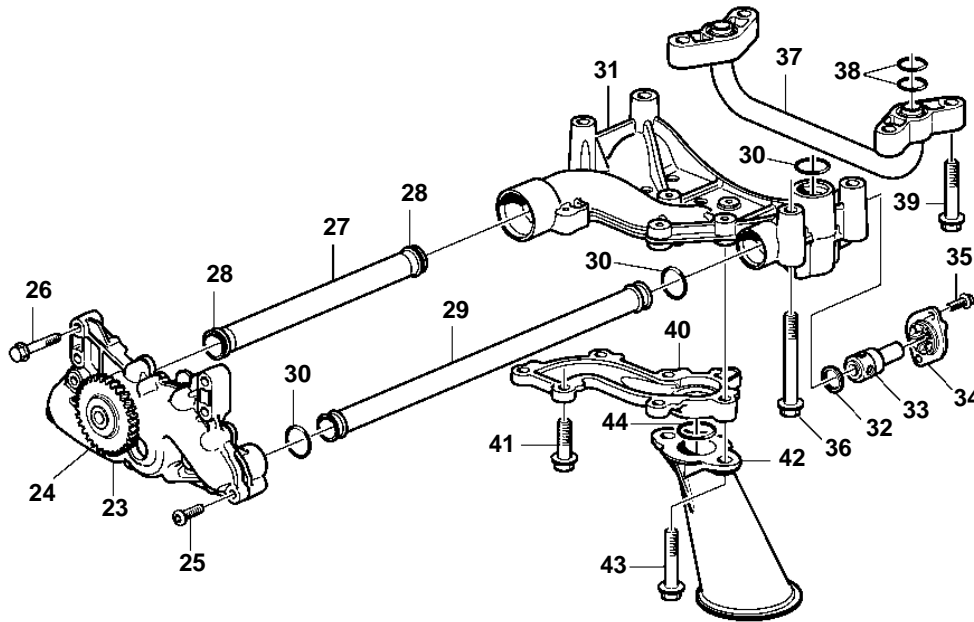
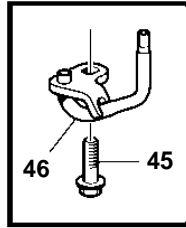
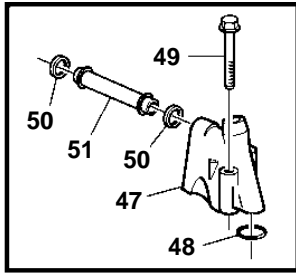


D9A2A 425, 500, 575, D9A2A MH



20657

D9A2A 425, 500, 575, D9A2A MH

REF	PART NO.	QTY	DESCRIPTION	SEE SEC.	NOTES
1	3808491	1	Oil pan		
2	20463185	18	Flange screw		
3		1	Level sensor	7513	
4	8148213	1	Gasket		
5	3809996	1	Cover		
6	965180	1	Flange screw		
7	967343	2	O-ring		
8	3838925	2	Retainer		
9	3589597	1	Connector		
10	20724256	1	Tube		(20464233)
11	949656	1	· O-ring		
12	946440	1	Flange screw		
13	3839507	1	Tube		
14	975371	1	6 point socket screw		
15	3838923	1	Hose		
	3818351	1	Hose		Used when oil filler is mounted on right side.
16	943476	2	Hose clamp		
17	20486942	1	Oil filler pipe		
18	3154328	1	· Oil filler cap		
19	20365079	1	· · Gasket		
20	3837065	1	Oil dipstick		
21	949187	2	· O-ring		
22	946173	2	Flange screw		
23	20569856	1	Oil pump		(20518382)
			Comps. not spec.		
24	8148139	1	Gear		
25		10	6 point socket screw		
26	947760	4	Flange screw		
27	20405083	1	Suction pipe		
28	20451487	2	Sealing ring		
29	20405081	1	Delivery pipe		
30	8170558	3	Sealing ring		
31	20412866	1	Valve housing		
32	469846	1	Sealing ring		
33	3826265	1	Reducing valve		
34	471648	1	Cover		
35	946934	2	Flange screw		
36	947790	4	Flange screw		
37	20412574	1	Tube		
38	471956	4	Sealing ring		
39	965186	4	Flange screw		
40		1	Cover		
41	946671	4	Flange screw		
42	3586152	1	Oil pump screen		
43	973924	2	Flange screw		
44	948610	1	O-ring		
45	966378	6	Flange screw		
46	8148129	6	Nozzle		
47	8170702	1	Intermediate section		
48	1636309	1	Sealing ring		
49	3165142	2	Flange screw		
50	1677370	2	Sealing ring		
51	8148187	1	Connection pipe, rocker arm shaft		
52	969198	4	O-ring		
53	965184	1	Screw		