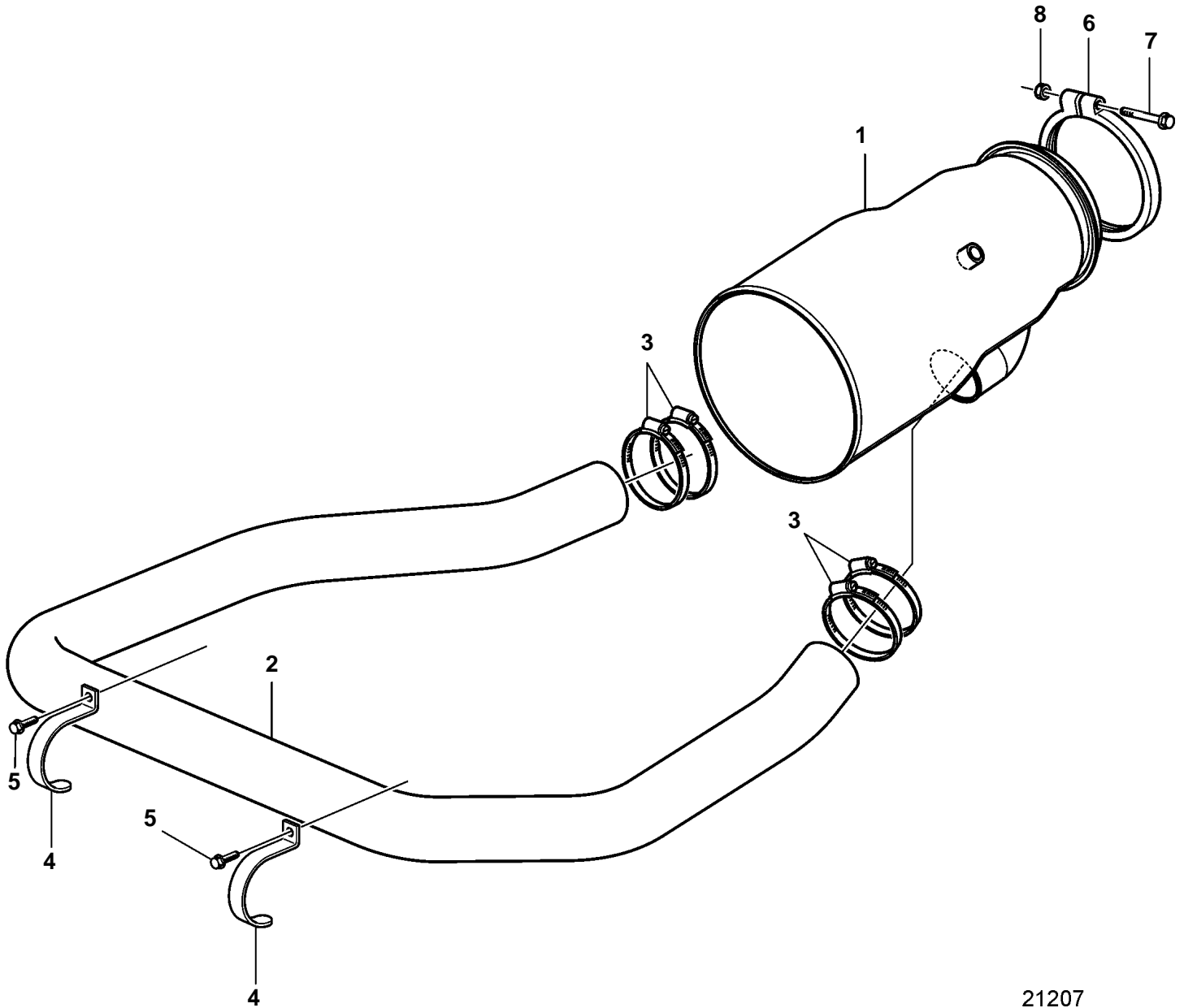


D9A2A 425, 500, 575



21207

D9A2A 425, 500, 575

REF	PART NO.	QTY	DESCRIPTION
1	3842183	1	Exhaust riser
2	3817427	1	Hose
3	961672	4	Clamp
4	948560	2	Clamp
5	946544	2	Flange screw
6	1556930	1	Clamp
7	973924	1	Flange screw
8	948645	1	Lock nut