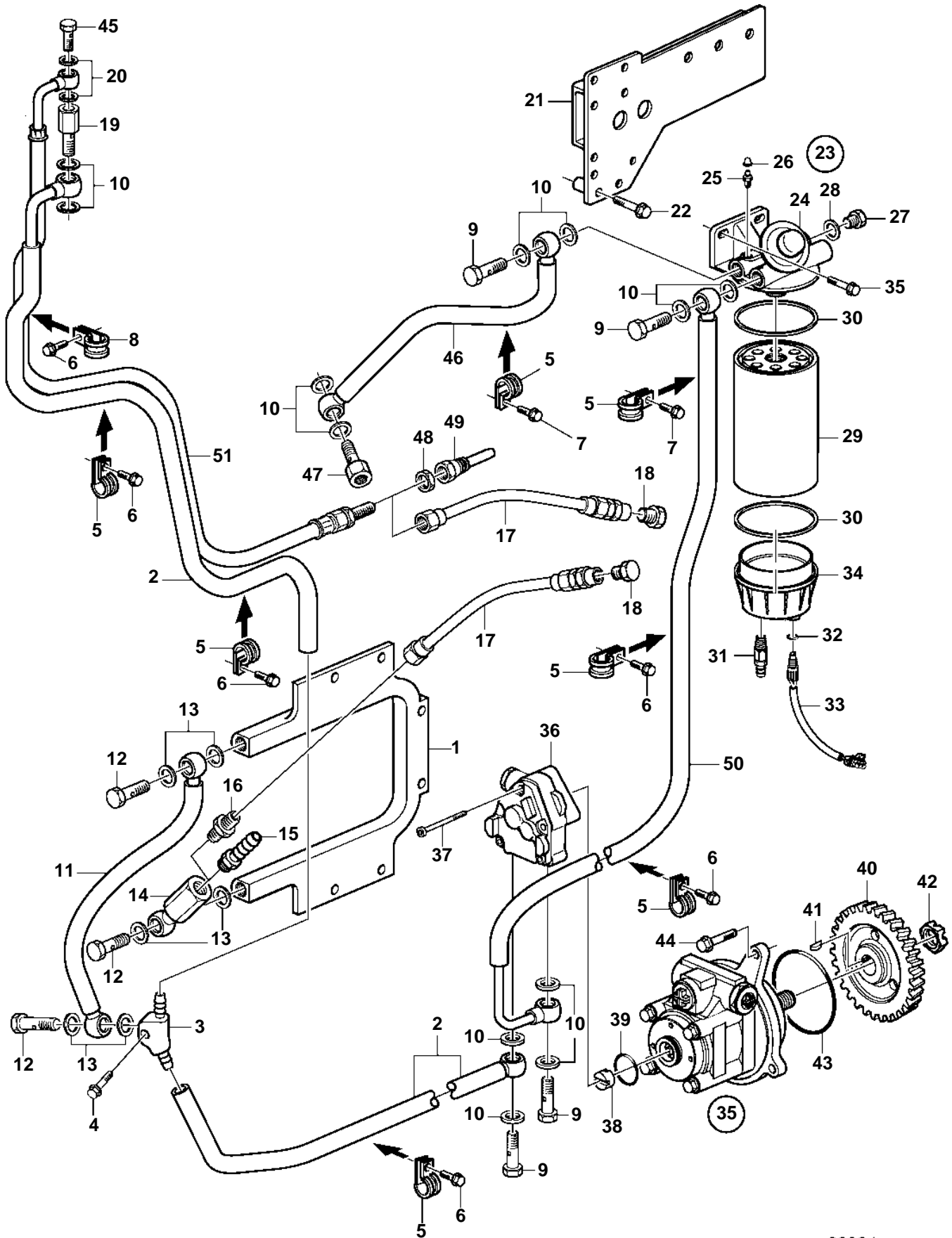


D9A2A 425, 500, 575



D9A2A 425, 500, 575

REF	PART NO.	QTY	DESCRIPTION	NOTES
1	20562394	1	Fuel pipe	
2	3836306	1	Fuel hose	
3		1	• Connector	
4	947760	1	Flange screw	
5	949747	8	Clamp	
6	946440	7	Flange screw	
7	967949	1	Screw	
8	978869	1	Clamp	
9	941686	4	Hollow screw	
10	982724	10	Gasket	
11	3836305	1	Fuel hose	
12	25167	3	Hollow screw	
13	982723	6	Gasket	
14	3828976	1	Check valve	
15	3825000	1	Nipple	
16	977677	1	Nipple	
17	3826595	2	Fuel hose	
18	943582	2	Plug	
19	20450468	1	Overflow valve	
20	982721	2	Gasket	
21	3817755	1	Bracket	
22	965186	2	Flange screw	
23	3817516	1	Fuel filter	KOMPL (3839468)
24		1	• Filter housing	
25	20548012	1	• Tap	
26	20547976	1	• Protecting cover	
27	968609	1	• Plug	
28	968559	1	• O-ring	
29	3817517	1	• Fuel filter kit	(3839469)
30		2	• • Gasket	
31	949918	1	• Drain cock	
32	3831094	1	• O-ring	
33	3588916	1	• Sender	
34		1	• Bowl	
35	20453450	1	Pump	16L/min. With servo pump.
	20453452	1	Pump	25L/min. With servo pump.
	3837998	1	Fuel pump	Without servo pump.
36	85103778	1	• Fuel pump	
37	85103780	3	Screw	
38	85103779	1	Companion flange	
39	85103703	1	O-ring	
40	8148198	1	Drive	
41	1505357	1	Key	
42	20367040	1	Lock nut	
43	977030	1	O-ring	
44	975199	3	Flange screw	
45	48634	1	Hollow screw	
46	3818538	1	Fuel hose	
47	3589451	1	Nipple	
48	957018	1	Nut	
49	3829292	1	Nipple	
50	3837625	1	Fuel hose	
51	889796	1	Air vent pipe	