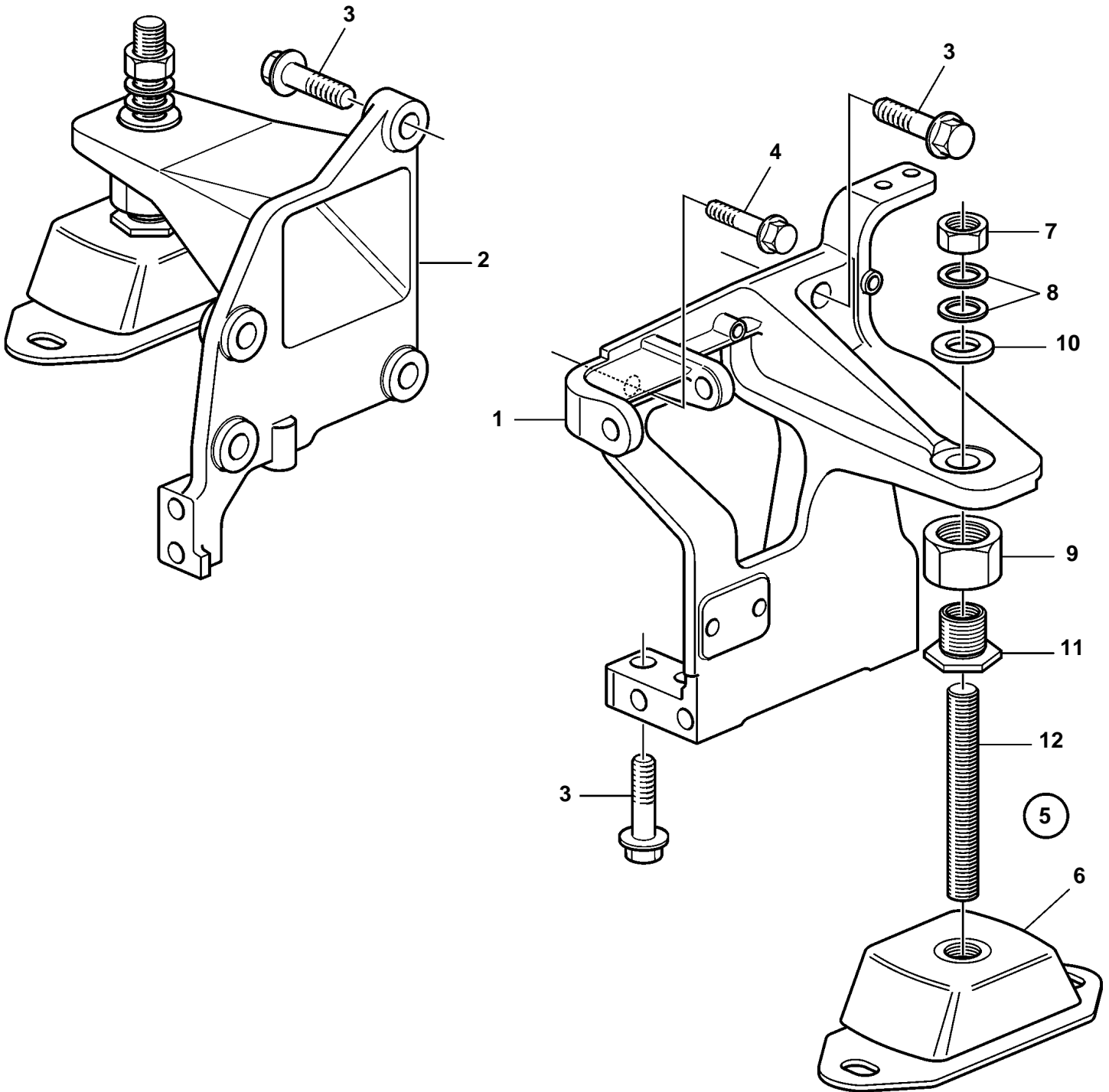


D9A2A 425, 500, 575, D9A-A MH



20642

D9A2A 425, 500, 575, D9A-A MH

REF	PART NO.	QTY	DESCRIPTION	NOTES
1	3807514	1	Engine mountings	
2	3838920	1	Engine mountings	
3	975126	8	Flange screw	
4	946472	1	Screw	
5		2	Rubber cushion	70 SH
6	862347	1	· Rubber element	
7	955786	1	· Nut	
8	847766	1	· Lock washer	
9	3839409	1	· Nut	
10	120224	1	· Washer	
11		1	· Sleeve	
12		1	· Adjuster screw	