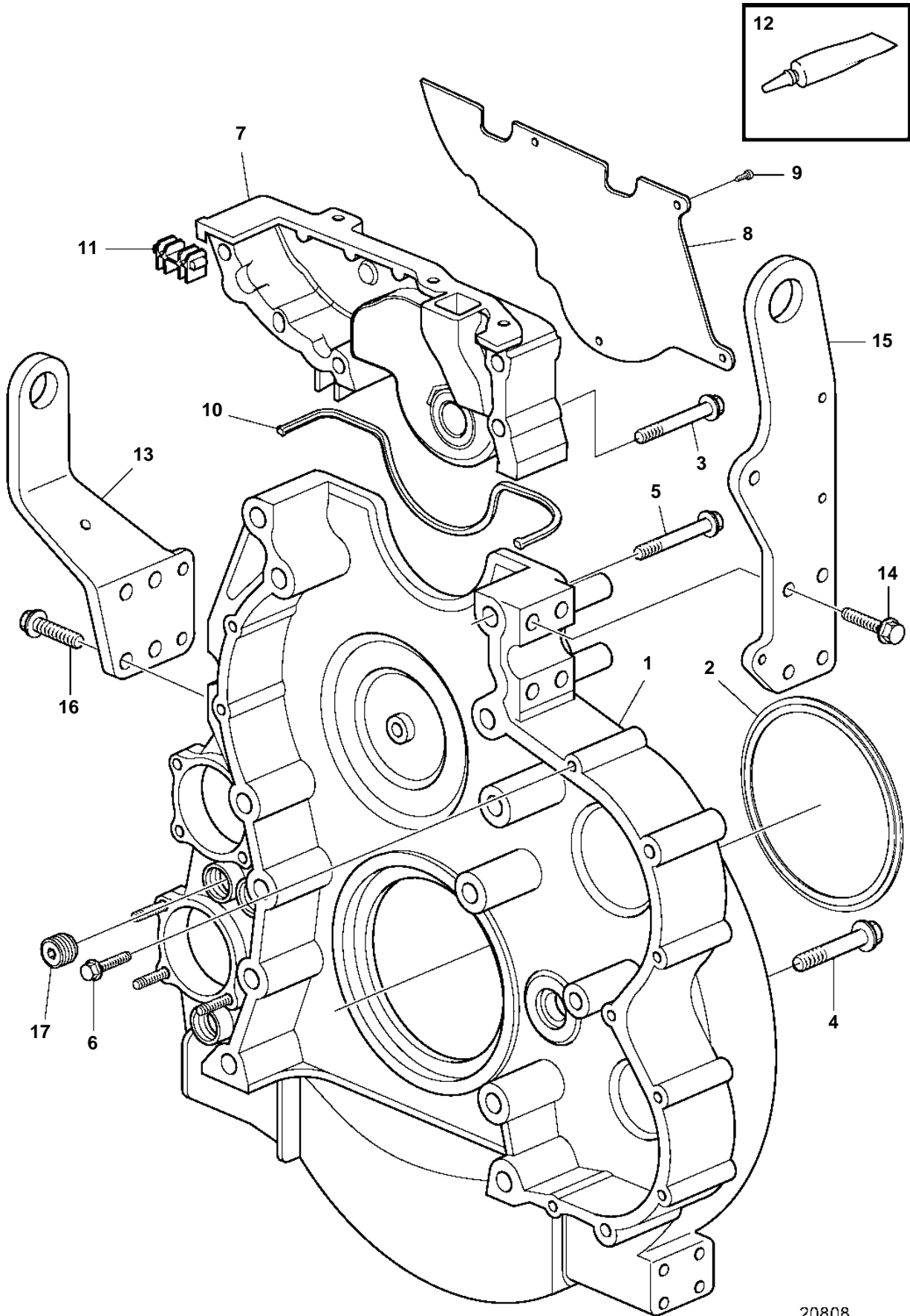


D9A2A MH



20808

## D9A2A MH

REF	PART NO.	QTY	DESCRIPTION	NOTES
1	3587453		Flywheel housing	
2	8148259	1	Crankshaft seal	
3	965180	2	Flange screw	M8x60mm
	965182	3	Flange screw	M8x80mm
4	966367	6	Flange screw	L=100mm
	966369	1	Flange screw	L=120mm
5	965197	4	Flange screw	L=100mm
6	946173	4	Flange screw	L=20mm
	975199	2	Flange screw	L=35mm
	975192	1	Flange screw	L=100mm
7	20728511	1	Timing gear cover	(20451300)
8		1	· Cover	
9		4	· Rivet	
10	20547565	1	Sealing strip	
11	20572441	2	Seal	
12	1161277	X	Sealant	20g
	1161231	X	Sealant	304ml
13		1	Lifting eye	P
14	965225	4	Flange screw	M12x35mm
15		1	Lifting eye	S.B
16	965225	4	Flange screw	M12x35mm
17		1	Plug	