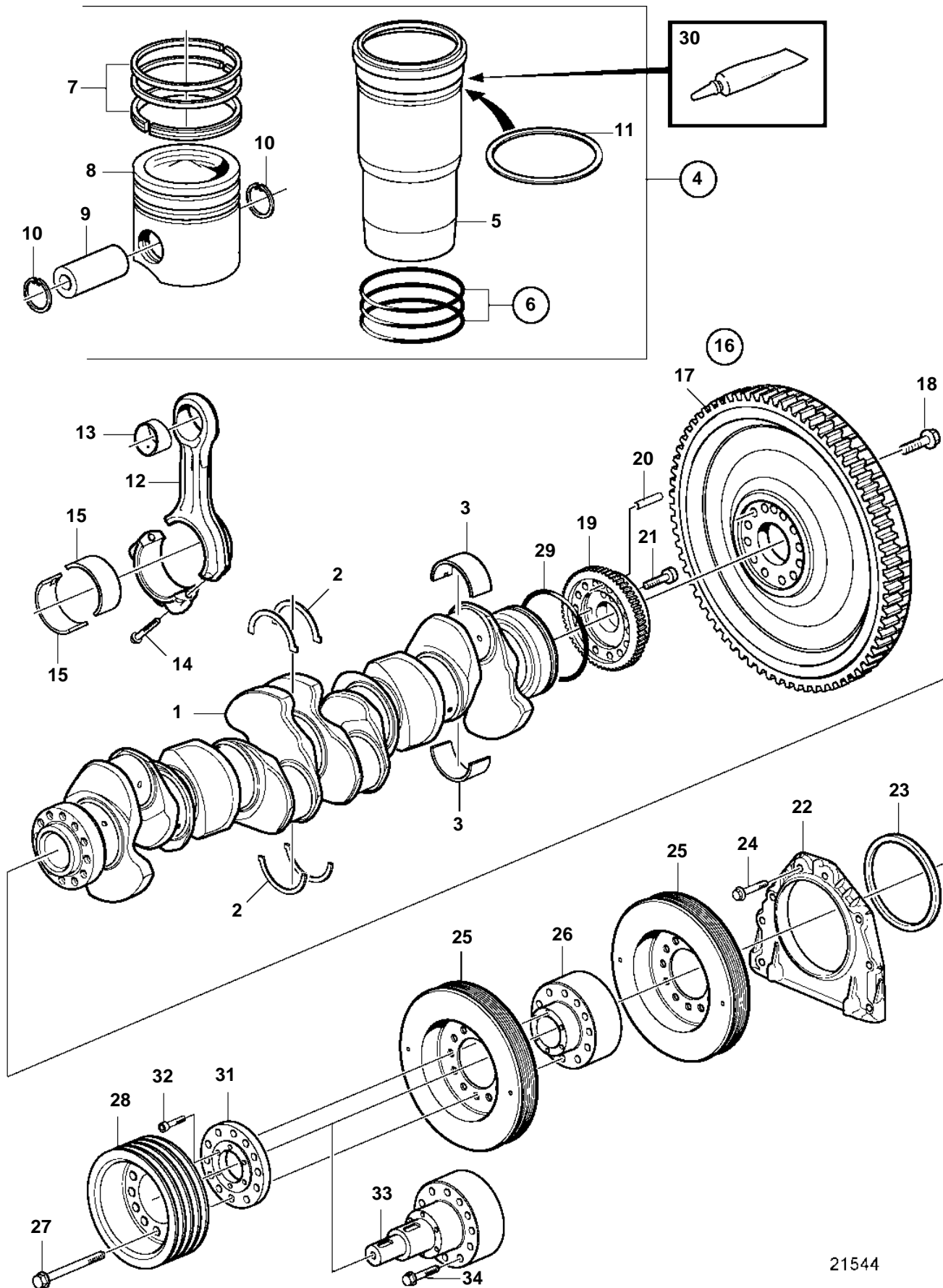


D9A2A, 500, 575



21544

D9A2A, 500, 575

REF	PART NO.	QTY	DESCRIPTION	NOTES
1	8148110	1	Crankshaft	
2	3093651	1	Thrust washer kit	STD
	3093652	1	Thrust washer kit	O.S=0,1mm
	3093653	1	Thrust washer kit	O.S=0,20mm
	3093654	1	Thrust washer kit	O.S=0,30mm
3	85103707	7	Main bearing kit	STD
	85103708	7	Main bearing kit	O.S=0,25mm
	85103709	7	Main bearing kit	O.S=0,50mm
		7	Main bearing kit	O.S=0,75mm
	85103711	7	Main bearing kit	O.D=1,0mm
		7	Main bearing kit	O.D=1,25mm
4	3817084	6	Cylinder liner kit	SN-XXXXXXXXXXXX/14518
	3886775	6	Cylinder liner kit	SNXXXXXXXXXXXX/14519-
5		1	· Cylinder liner	
6	85103699	1	· Sealing ring kit	
	422713	1	· · Sealing ring	UPPER
		1	· · Sealing ring	LOWER
		1	· · Sealing ring	
7	3817086	1	· Piston ring kit	SN-XXXXXXXXXXXX/14518
	3886774	1	· Piston ring kit	SNXXXXXXXXXXXX/14519-
		1	· · Piston ring	UPPER
		1	· · Compression ring	LOWER
		1	· · Oil scraper ring	
8		1	· Piston	
9	3161285	1	· Piston pin	
10	3161087	2	· Lock ring	
11	20463853	X	Shim	TH=0,20mm
	20463854	X	Shim	TH=0,30mm
	20463855	X	Shim	TH=0,50mm
12	8148030	6	Connecting rod	
13		6	· Bushing	
14	8192804	24	· Screw	
15	85103713	12	Big end bearing kit	STD
	85103714	12	Big end bearing kit	O.S=0,25mm
	85103715	12	Big end bearing kit	O.S=0,50mm
		12	Big end bearing kit	O.S=0,75mm
	85103717	12	Big end bearing kit	O.D=1,0mm
		12	Big end bearing kit	O.D=1,25mm
16	3838895	1	Flywheel	
17	3838729	1	· Gear ring	
18	3155075	12	Flange screw	
19	8148111	1	Gear	
20	950658	1	Pin	
21	941761	2	Screw	
22	20513482	1	Cover	
23	1549398	1	· Crankshaft seal	
24	946671	8	Flange screw	
25	3586367	2	Pulley	
26	3586634	1	Spacer ring	
27	965192	12	Flange screw	
28	3837937	1	Pulley	
29	949736	1	O-ring	
30	1161231	X	Sealant	304ml
	1161277	X	Sealant	20g
31	3809765	1	Spacer ring	
32	959223	6	Screw	
33	3809301	1	Stub axle	
34	965196	12	Screw	