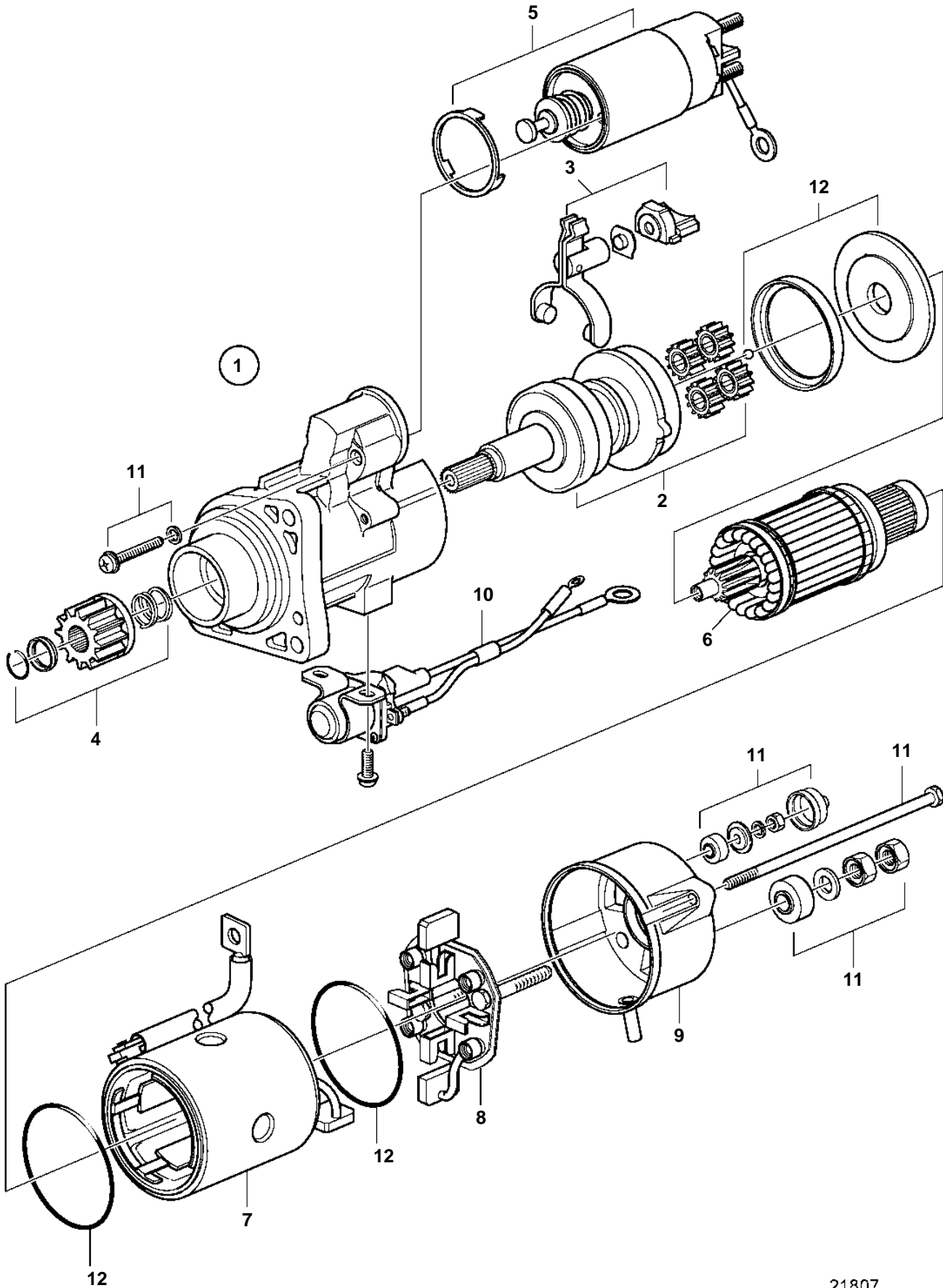


D9A2A 425, 500, 575, D9A2A MH



D9A2A 425, 500, 575, D9A2A MH

REF	PART NO.	QTY	DESCRIPTION
1	3803847	1	Starter motor, exch
2		1	· Shaft
3		1	· Lever
4	20491053	1	· Starter pinion
5	3818887	1	· Solenoid
6		1	· Rotor
7		1	· Stator
8	3818891	1	· Carbon brush retaine
9		1	· Bearing shield
10	3818901	1	· Starter relay
11	3818906	1	· Screw kit
12	3818908	1	· Gasket kit