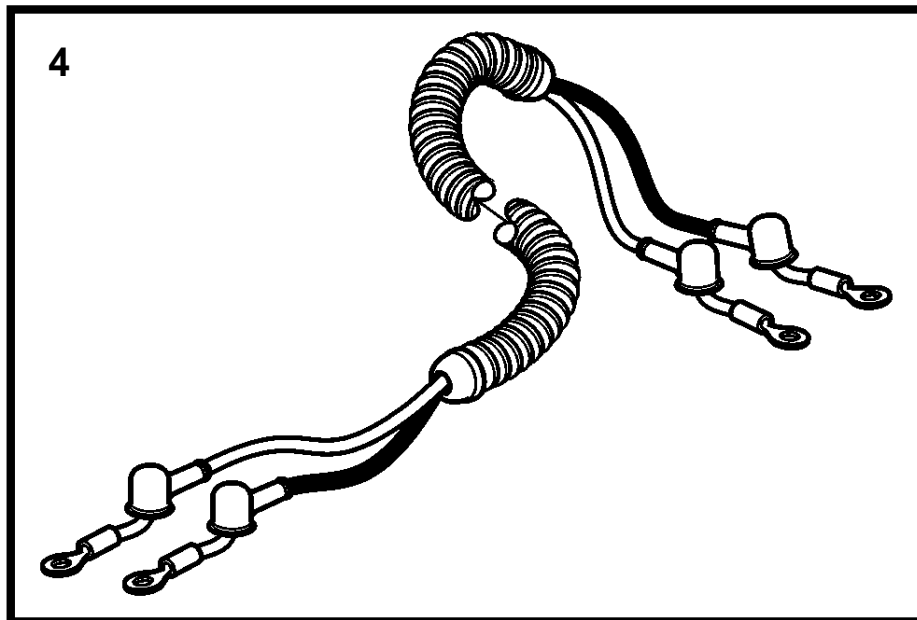
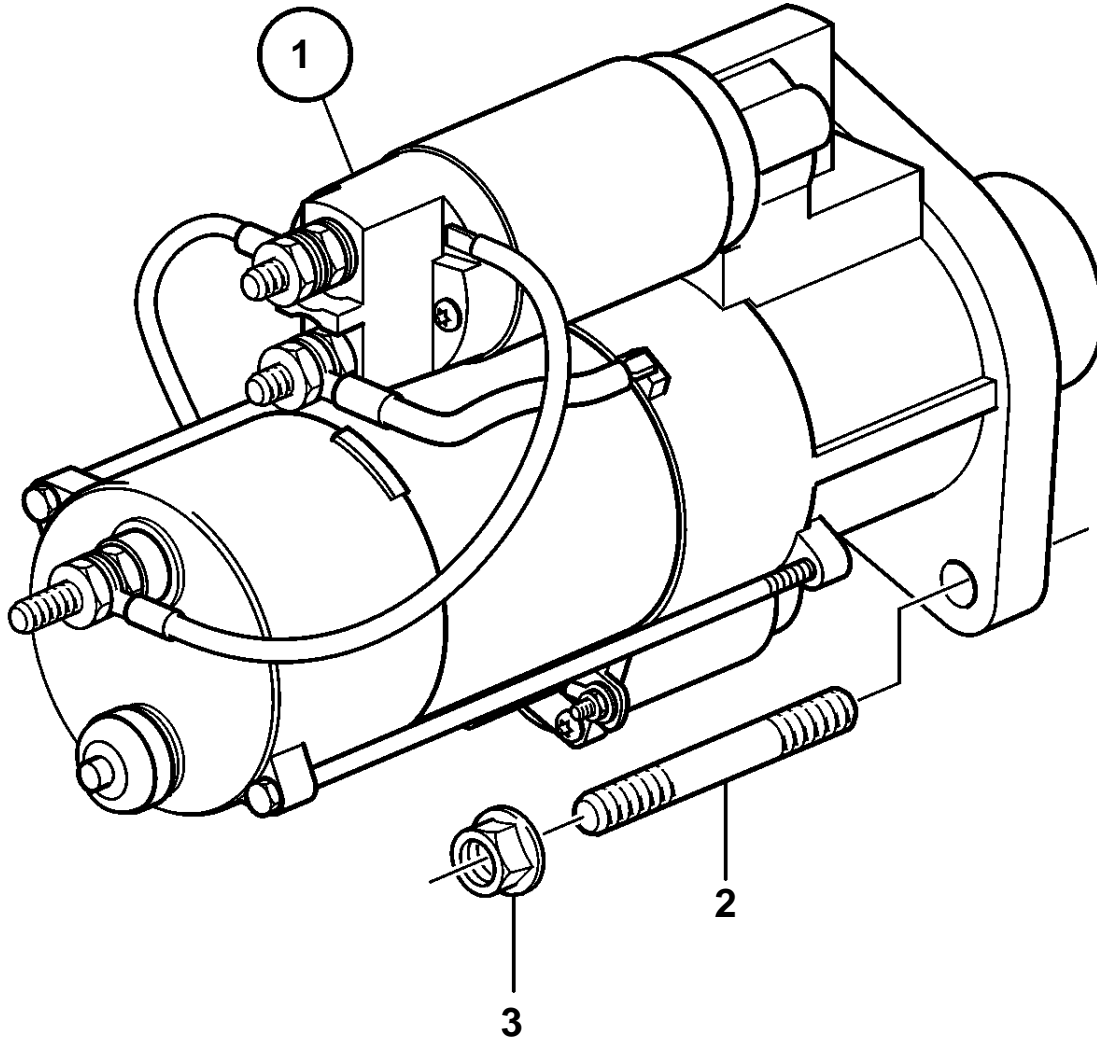


D9A2A 425, 500, 575, D9A2A MH



D9A2A 425, 500, 575, D9A2A MH

REF	PART NO.	QTY	DESCRIPTION	SEE SEC.
1	3803847	1	Starter motor, exch	
				8485
2	953071	3	Stud	
3	471622	3	Nut	
4	3817049	1	Wiring harness	