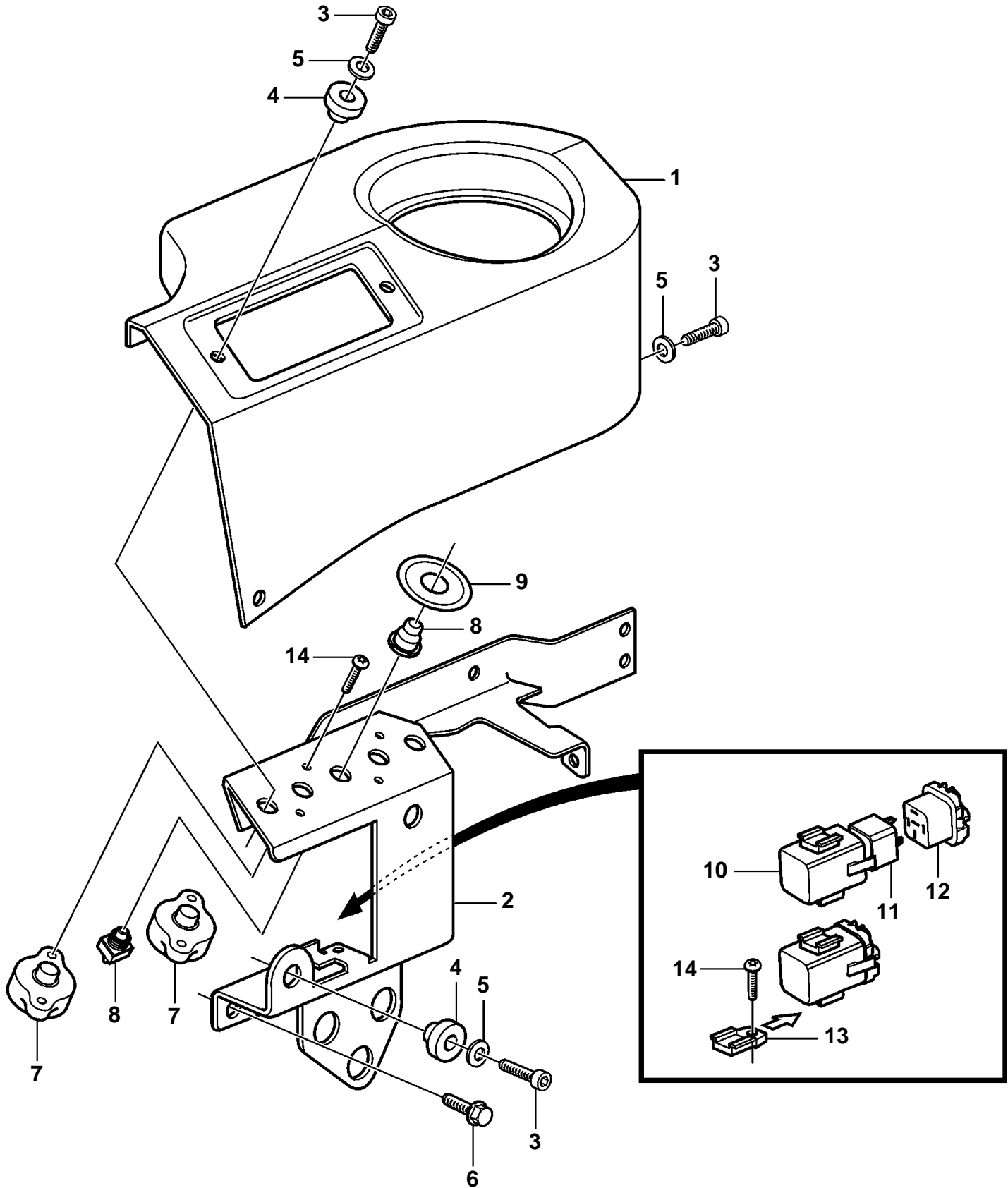


D9A2A 425, 500, 575, D9A2A MH



D9A2A 425, 500, 575, D9A2A MH

REF	PART NO.	QTY	DESCRIPTION	NOTES
1	3838951	1	Cover	
2	3836293	1	Bracket	
3	969423	4	Screw	
4	930760	4	Rivet nut	
5	976943	4	Washer	
6	948336	2	Lock screw	
7	873952	2	Fuse	
8	873959	1	Breaker	
9	3809463	1	Decal	
10	3587173	2	Box	
11	873765	1	Relay	12V
	20374662	1	Relay	24V
12	3587172	2	Lower section	
13	3587174	2	Retainer	
14	969408	5	Screw	