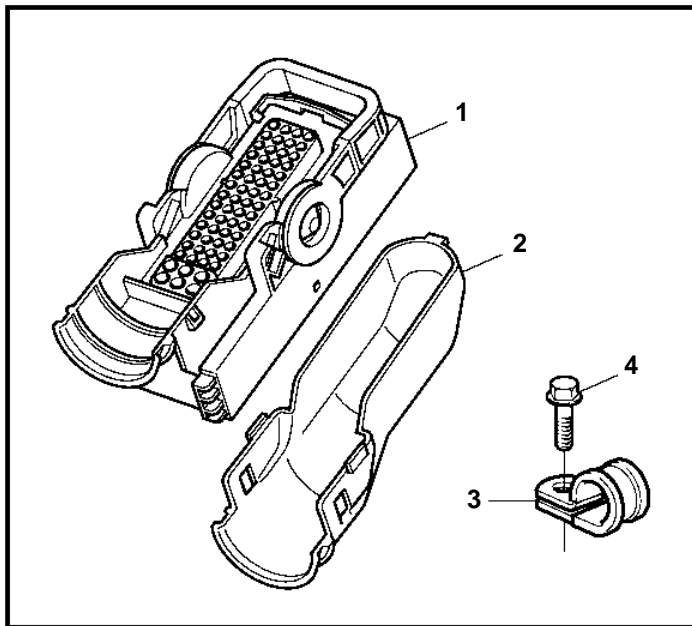
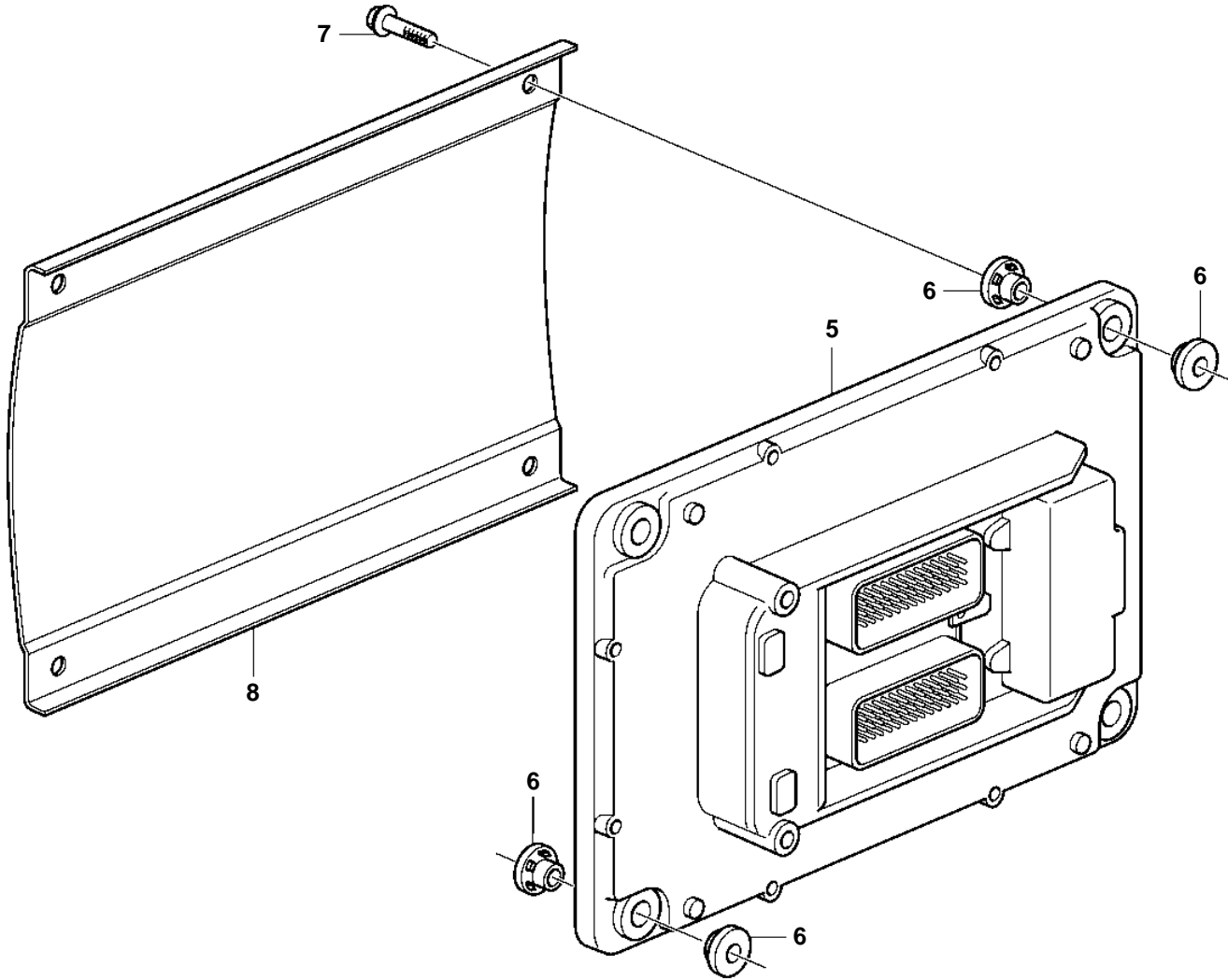


D9A2A 425, 500, 575, D9A2A MH



D9A2A 425, 500, 575, D9A2A MH

| REF | PART NO. | QTY | DESCRIPTION | SEE SEC. | NOTES |
|-----|----------|-----|------------------------------------|-------------|---|
| 1 | 20429842 | 1 | Housing | | BLACK |
| | 20429843 | 1 | Housing | | GREY |
| 2 | 20429844 | 1 | Cover | | |
| 3 | 949997 | 2 | Clamp | | |
| 4 | 946440 | 2 | Flange screw | | |
| 5 | 20797156 | 1 | Control unit, eecu, not programmed | | 12V |
| | | | Bulletin P-28-4-1 | P-28-4-1-EN | Control Units for D9 Marine Engines |
| 5 | 24425461 | 1 | Control unit, eecu, not programmed | | 24V |
| | | | Bulletin P-28-4-1 | P-28-4-1-EN | Control Units for D9 Marine Engines |
| 5 | 3586269 | 1 | Update, eecu | SO | Warehouse programming. This p/n can not be ordered, but will be used for invoicing. |
| | 3586268 | 1 | Update, eecu | SO | Vodia-programming. This p/n can not be ordered, but will be used for invoicing. |
| 6 | 3095161 | 4 | · Rubber cushion | | |
| 7 | 947760 | 4 | Flange screw | | |
| 8 | 889687 | 1 | Protecting plate | | |