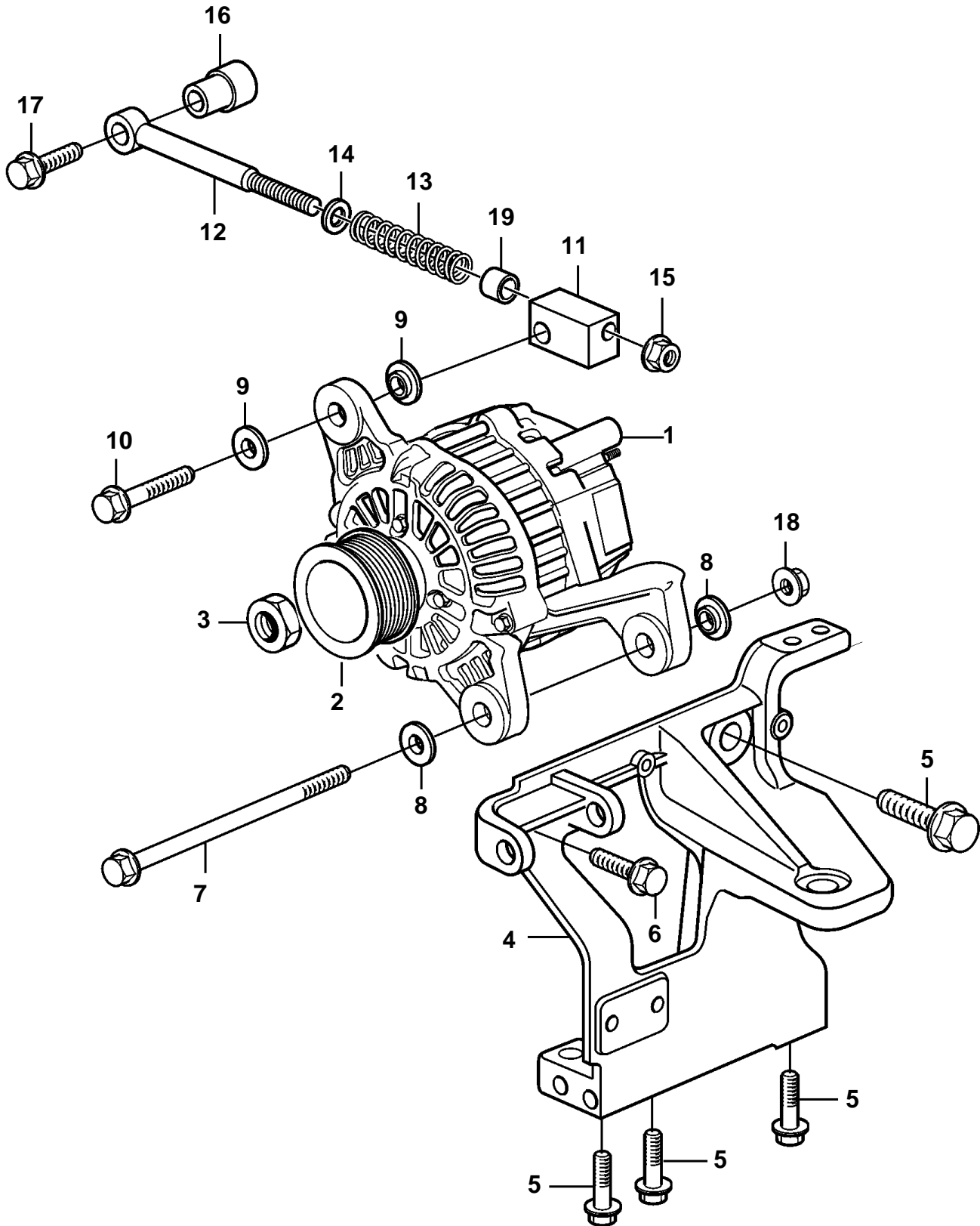


D9A2A 425, 500, 575, D9A2A MH



D9A2A 425, 500, 575, D9A2A MH

REF	PART NO.	QTY	DESCRIPTION	NOTES
1	3803845	1	Alternator,exch, exchange part	28V 80A
2		1	· Pulley	
3		1	· Nut	
4	3807514	1	Engine mountings	
5	975126	4	Flange screw	
6	946472	1	Screw	
7	979935	1	Flange screw	
8	3589388	2	Insulating bushing	
9	3589369	2	Insulating bushing	
10	973924	1	Flange screw	
11	3839352	1	Belt tensioner	
12	3807549	1	Belt tensioner	
13	3808850	1	Spring	
14	955897	1	Washer	
15	971095	1	Nut	
16	3807551	1	Bushing	
17	965187	1	Screw	
18	979230	1	Flange nut	
19	3818379	1	Spacer	