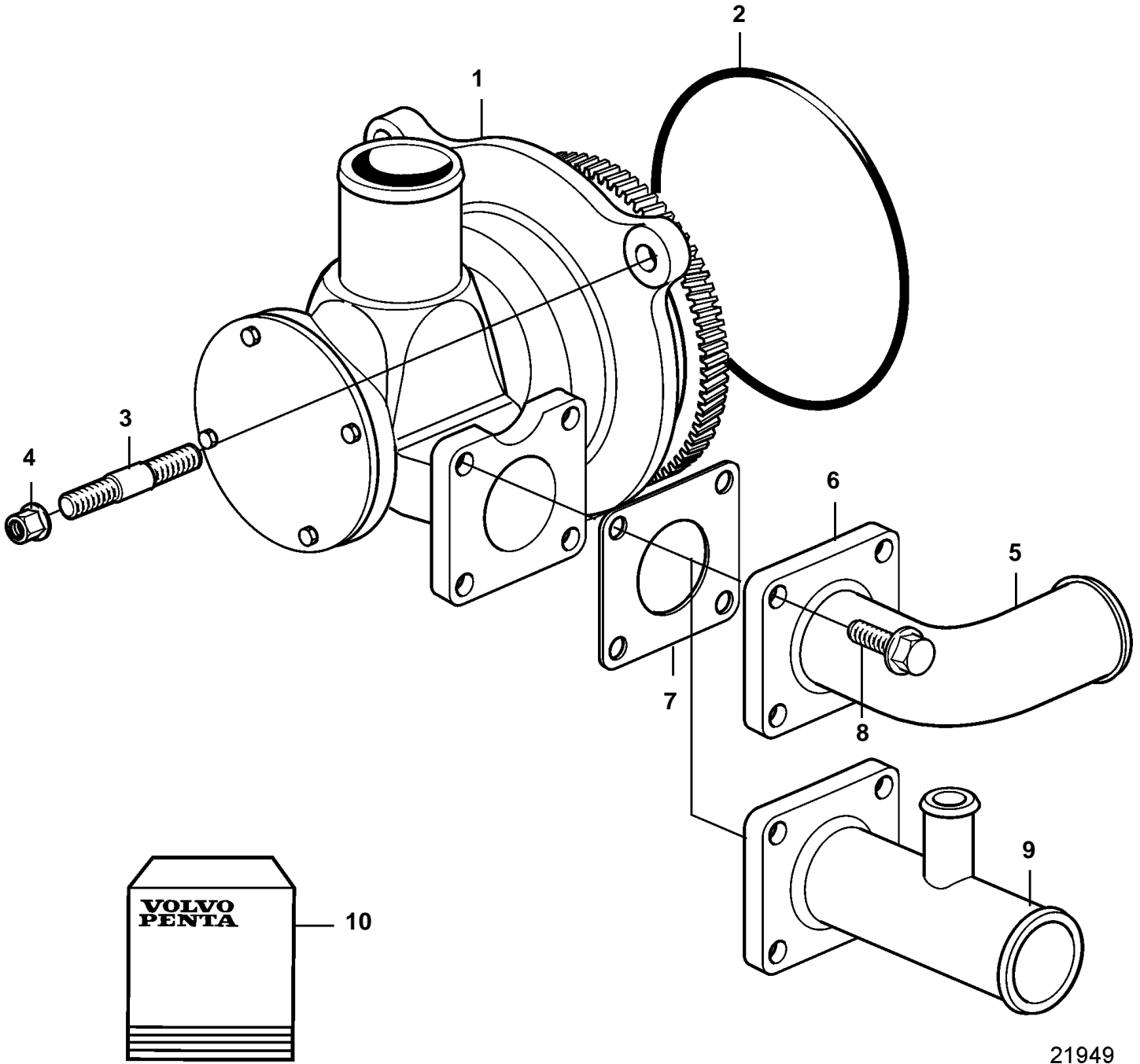


D9A2A 425, 500, 575, D9A2A MH



21949

D9A2A 425, 500, 575, D9A2A MH

REF	PART NO.	QTY	DESCRIPTION
1	3836314	1	Sea water pump
2	949735	1	Sealing ring
3	953104	3	Stud
4	979230	3	Flange nut
5	848596	1	Hose attachment
6	842029	1	Flange
7	862592	1	Gasket
8	946441	4	Screw
9		1	Flange
10	3817587	1	Impeller kit
		1	· Impeller
	3587885	1	· O-ring
	949735	1	· Sealing ring