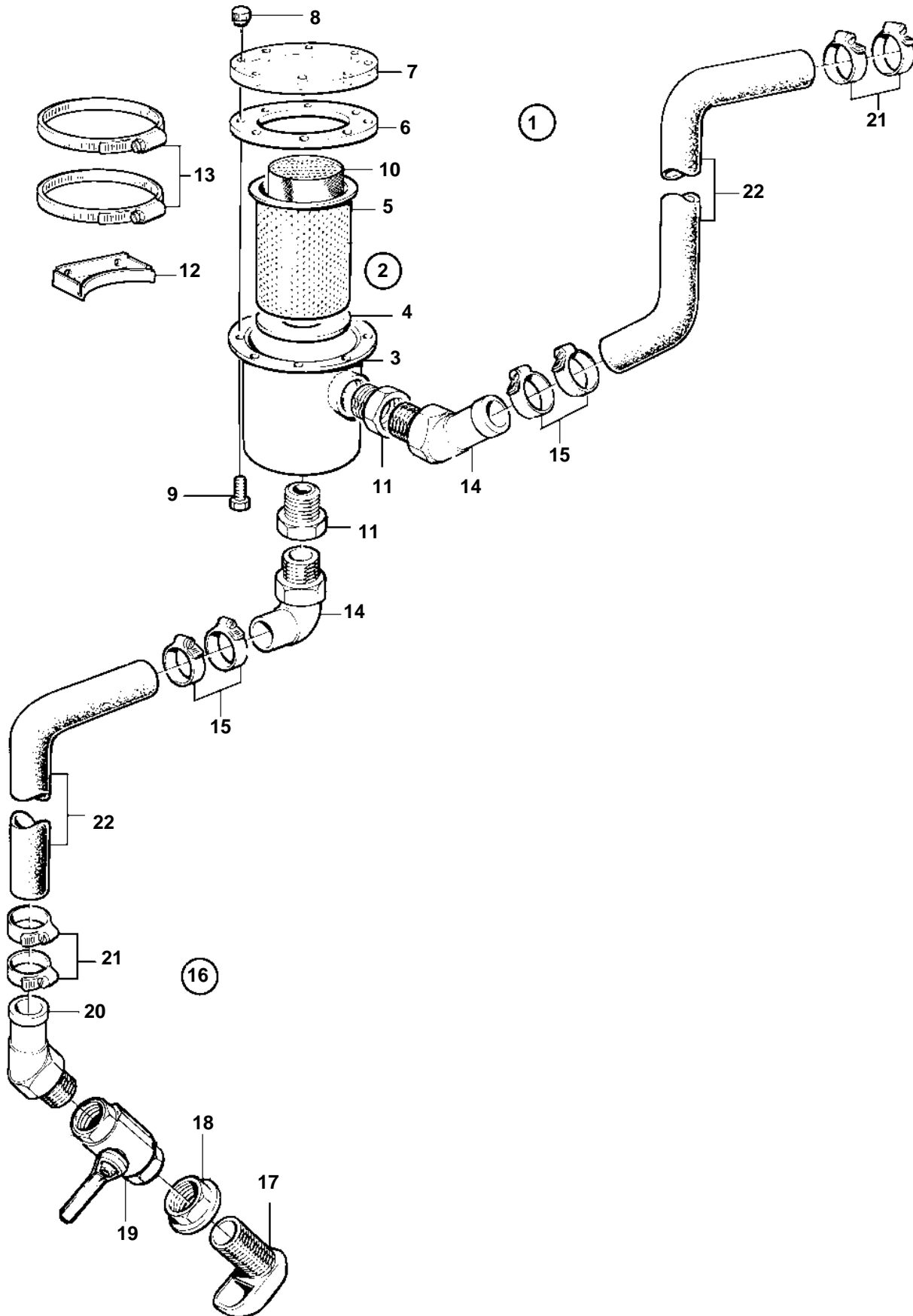


D9A2A 425, 500, 575, D9A2A MH



17221

D9A2A 425, 500, 575, D9A2A MH

| REF | PART NO. | QTY | DESCRIPTION | NOTES |
|-----|----------|-----|--------------------|--------|
| 1 | 1140034 | 1 | Sea water filter | D=32mm |
| 2 | 842466 | 1 | · Filter | |
| 3 | | 1 | · · Housing | |
| 4 | 843361 | 1 | · · Gasket | |
| 5 | 843358 | 1 | · · Insert | |
| 6 | 3589331 | 1 | · · Gasket kit | |
| 7 | 843359 | 1 | · · Cover | |
| 8 | 843357 | 8 | · · Nut | |
| 9 | 843362 | 8 | · · Screw | |
| 10 | 844902 | 1 | · Sea water filter | |
| 11 | 844903 | 2 | · Bushing | |
| 12 | 828061 | 2 | · Bracket | |
| 13 | 961678 | 2 | · Hose clamp | |
| 14 | 828696 | 2 | · Hose attachment | |
| 15 | 961669 | 4 | · Hose clamp | |
| 16 | 1140129 | 1 | Cooling wate inlet | D=32mm |
| 17 | 836876 | 1 | · Strainer | |
| 18 | 836879 | 1 | · Nut | |
| 19 | 1140125 | 1 | · Ball valve | |
| 20 | 828696 | 1 | · Hose attachment | 45° |
| 21 | 961670 | 2 | · Hose clamp | |
| 22 | 1140664 | X | Exhaust hose | D=32mm |