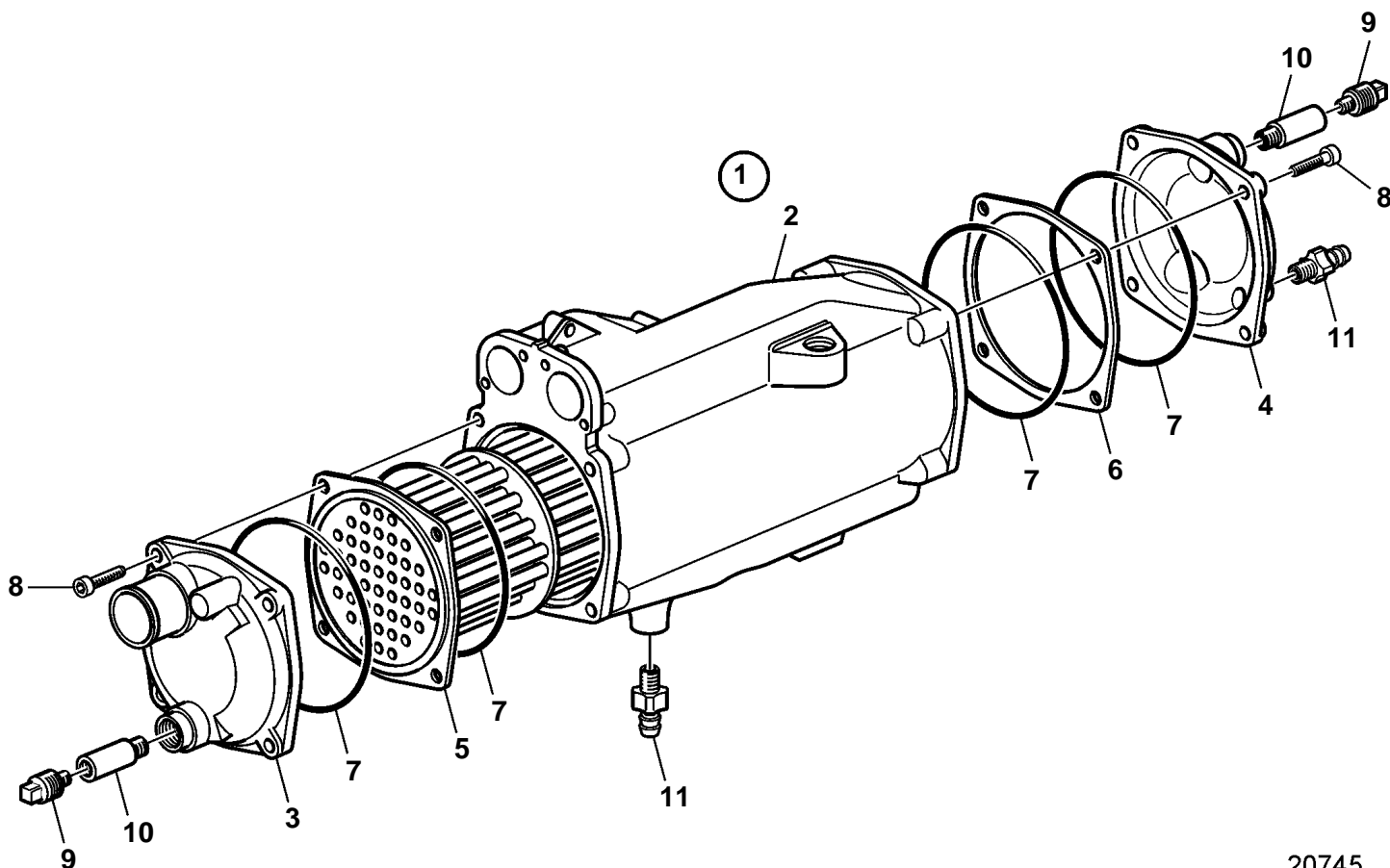


D9A2A 575



20745

D9A2A 575

REF	PART NO.	QTY	DESCRIPTION	NOTES
1	3837053	1	Heat exchanger	575hp
2		1	· Housing	
3	3588542	1	· Cover	
4	3588541	1	· Cover	
5	3588540	1	· Insert	
6	3588537	1	· Spacer	
7	3588536	4	· O-ring	
8	3838337	8	· Screw	
9	838928	2	· Plug	
10	838929	1	· Zinc anod	
11	3583822	2	· Draining nippel	