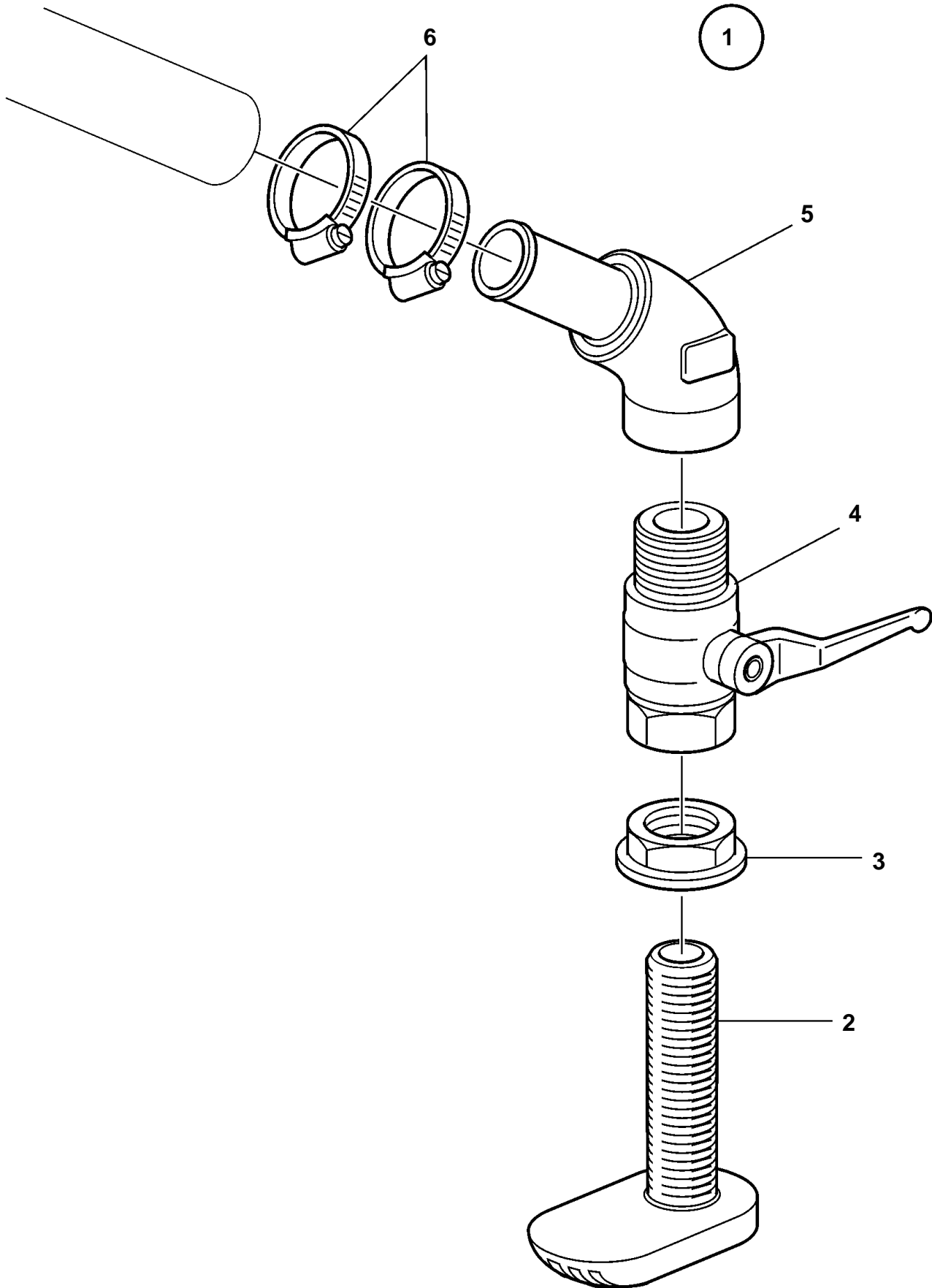


D9A2A 425, 500, 575



D9A2A 425, 500, 575

| REF | PART NO. | QTY | DESCRIPTION         | NOTES   |
|-----|----------|-----|---------------------|---------|
| 1   | 1140127  | 1   | Cooling water inlet | D=500mm |
| 2   | 848321   | 1   | • Strainer          |         |
| 3   | 848323   | 1   | • Flange nut        |         |
| 4   | 3837938  | 1   | • Ball valve        |         |
| 5   | 848420   | 1   | • Hose connection   |         |
| 6   | 961673   | 4   | • Clamp             |         |
|     |          |     |                     |         |
|     |          |     |                     |         |
|     |          |     |                     |         |
|     |          |     |                     |         |
|     |          |     |                     |         |
|     |          |     |                     |         |
|     |          |     |                     |         |
|     |          |     |                     |         |
|     |          |     |                     |         |
|     |          |     |                     |         |
|     |          |     |                     |         |
|     |          |     |                     |         |
|     |          |     |                     |         |
|     |          |     |                     |         |
|     |          |     |                     |         |
|     |          |     |                     |         |
|     |          |     |                     |         |
|     |          |     |                     |         |
|     |          |     |                     |         |