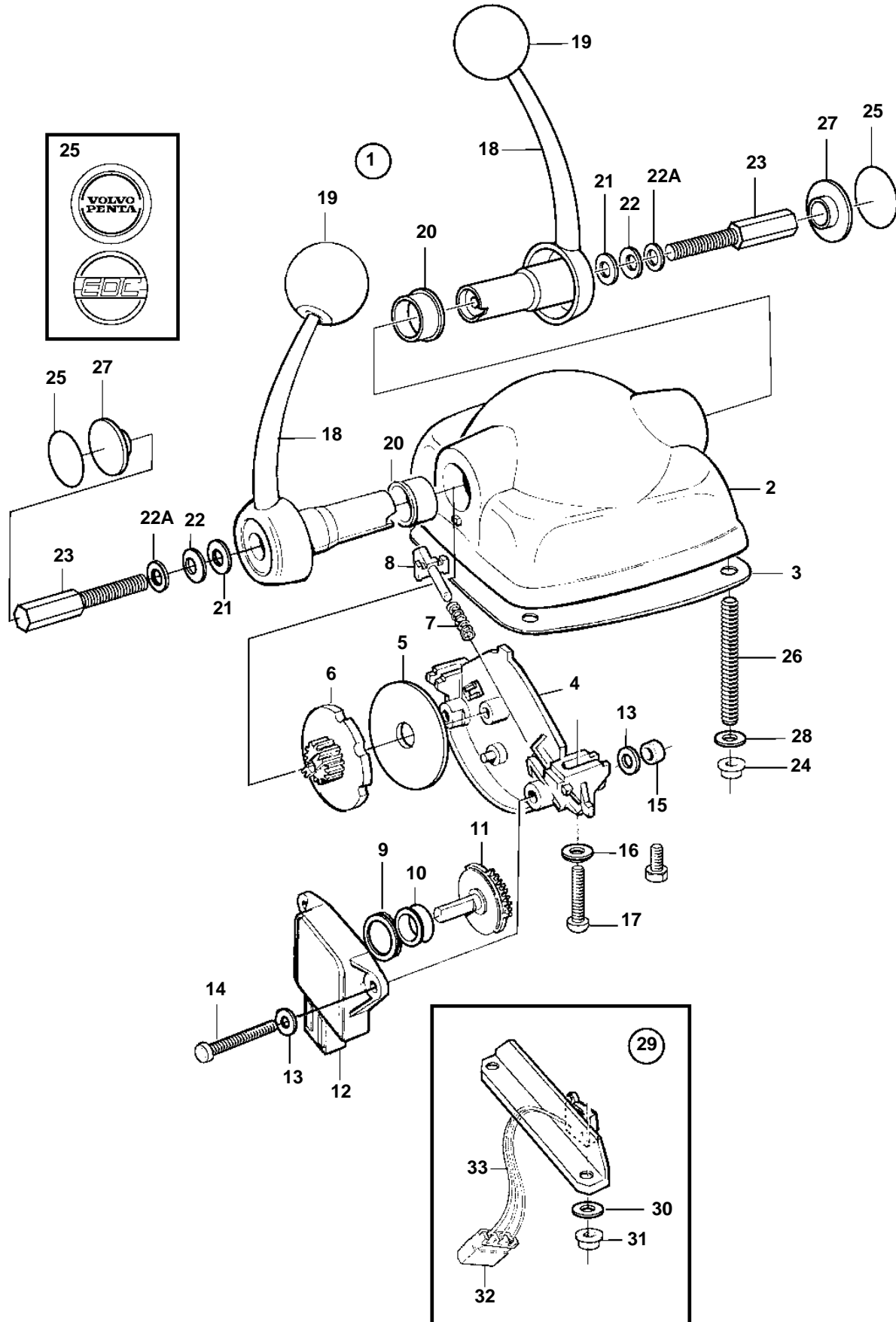


D9A2A 425, 500, 575, D9A2A MH



D9A2A 425, 500, 575, D9A2A MH

REF	PART NO.	QTY	DESCRIPTION	NOTES
1	3819900	1	Control, black	For twin installation.. Stainless.. With neutralswitch.
	3819902	1	Control, stainless	For twin installation.. Stainless.. With neutralswitch.
2		1	• Control housing	
3	3581674	1	• Gasket	
4		1	• Plate	
5	3581666	2	• Washer	
6		2	• Plate	
7		2	• Spring	
8		2	• Lug	
9		2	• Spacer ring	
10	3581676	2	• Ring	
11	3581668	2	• Gear	
12	1336385	2	• Potentiometer	
13		4	• Washer	
14	3581678	2	• Screw	
15	3581680	2	• Nut	
16		2	• Washer	
17	3581681	2	• Screw	
18		2	• Lever	
19	3581675	2	• Ball	
20	3581673	2	• Bearing	
21		2	• Washer	
22		2	• Disc spring	
22A		2	• Washer	
23		2	• Adjusting screw	
24	3581686	4	• Nut	
25	3584000	2	• Decal	VOLVO PENTA
	3581669	2	• Decal	EDC
26		4	• Stud	
27	3582830	2	• Plug	For 874663. Plastic
		2	• Plug	For 874813. Stainless.
28		4	• Washer	
29		2	• Breaker	
30		4	• • Washer	
31		4	• • Nut	
32		X	• • Housing	SEE GROUP 30
33		X	• • Cable	SEE GROUP 30