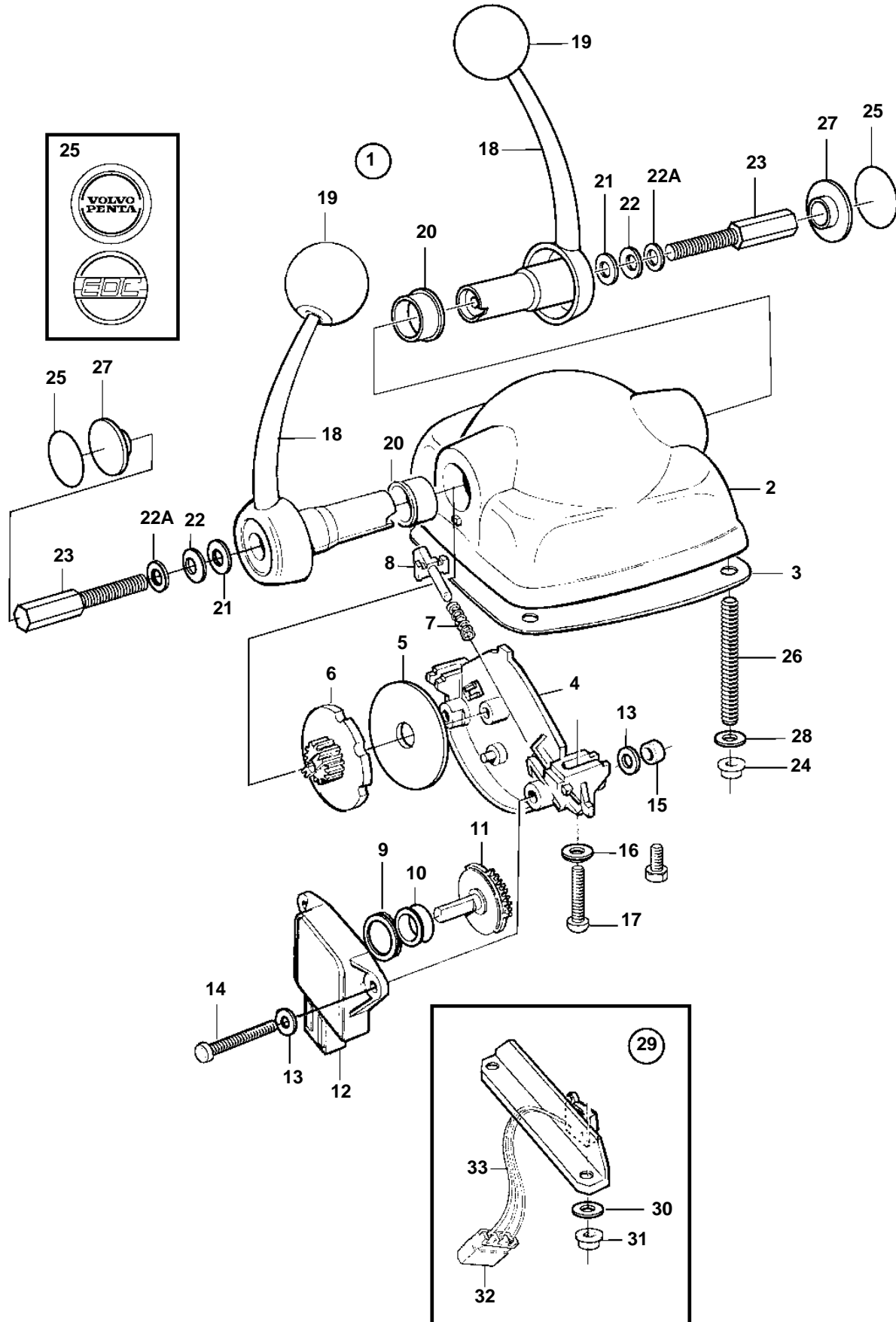


D9A2A 425, 500, 575, D9A2A MH



21947

## D9A2A 425, 500, 575, D9A2A MH

REF	PART NO.	QTY	DESCRIPTION	SEE SEC.	NOTES
1	874663	1	Control, black		(1140658). For twin installation.. Black.
	874813	1	Control, stainless		For twin installation.. Stainless.
			Bulletin 53-10	53-10-EN	Stainless Steel Controls
2		1	• Control housing		
3	3581674	1	• Gasket		
4		1	• Plate		
5	3581666	2	• Washer		
6		2	• Plate		
7		2	• Spring		
8		2	• Lug		
9		2	• Spacer ring		
10	3581676	2	• Ring		
11	3581668	2	• Gear		
12	1336385	2	• Potentiometer		
13		4	• Washer		
14	3581678	2	• Screw		
15	3581680	2	• Nut		
16		2	• Washer		
17	3581681	2	• Screw		
18		2	• Lever		
19	3581675	2	• Ball		
20	3581673	2	• Bearing		
21		2	• Washer		
22		2	• Disc spring		
22A		2	• Washer		
23		2	• Adjusting screw		
24	3581686	4	• Nut		
25	3584000	2	• Decal		VOLVO PENTA
	3581669	2	• Decal		EDC
26		4	• Stud		
27	3582830	2	• Plug		For 874663. Plastic
		2	• Plug		For 874813. Stainless.
28		4	• Washer		
29	3818851	2	Switch kit		(873870)
30		4	• Washer		
31		4	• Nut		
32		X	• Housing		SEE GROUP 30
33		X	• Cable		SEE GROUP 30