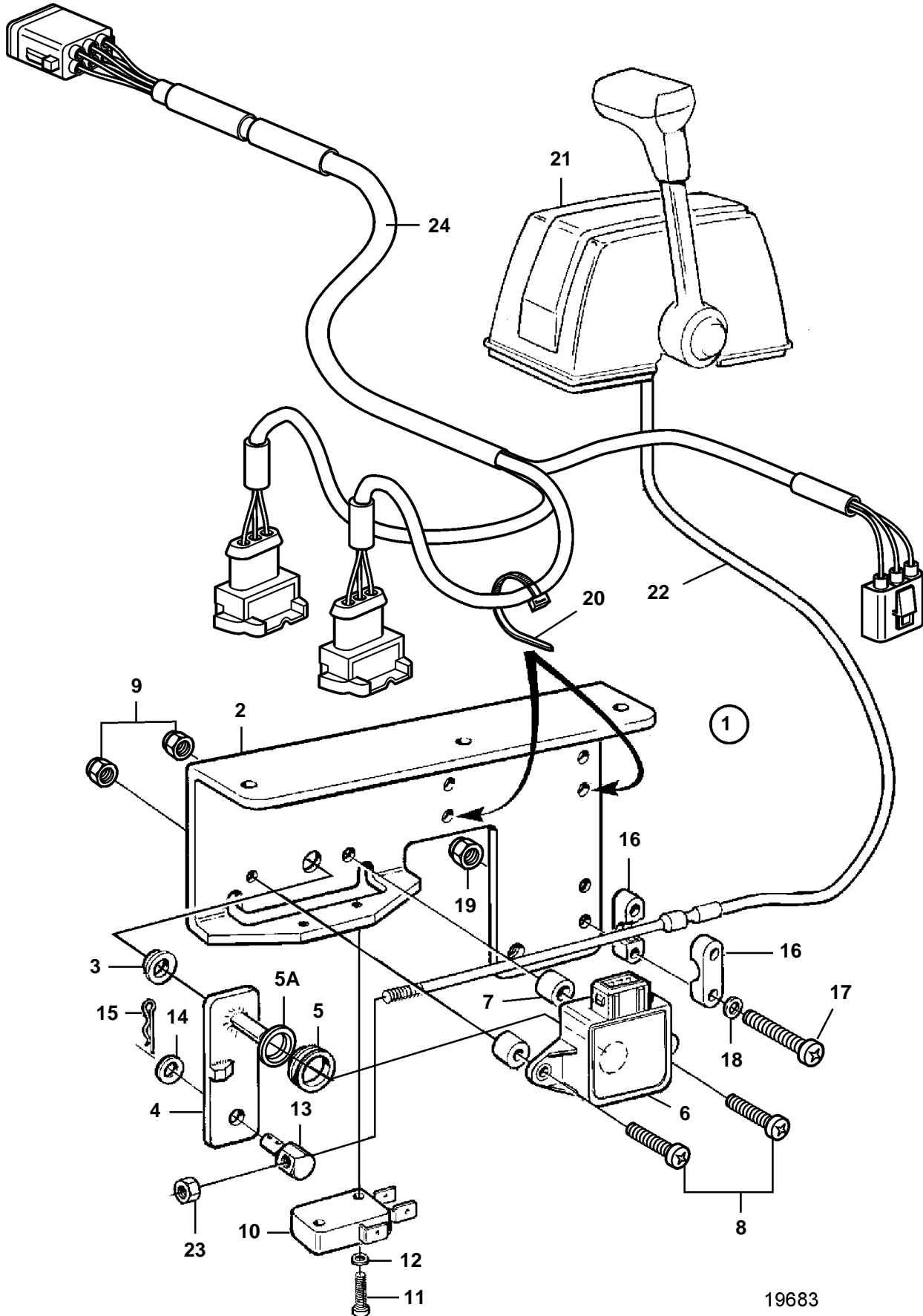


D9A2A 425, 500, 575, D9A2A MH



19683

D9A2A 425, 500, 575, D9A2A MH

REF	PART NO.	QTY	DESCRIPTION	SEE SEC.	NOTES
1	881910	1	Adapter		
2		1	· Bracket		
3	3829680	1	· Bushing		
4		1	· Lever		
5	943342	1	· Sealing ring		
5A	3829681	1	· Washer		
6	1336385	1	· Potentiometer		
7	3825525	2	· Spacer		
8	969518	2	· Screw		L=25mm
9	963103	2	· Lock nut		
10	850200	1	· Switch		
11	956049	2	· Screw		
12	955890	2	· Washer		
13	814082	1	· Cube		
14	955892	1	· Washer		
15	664822	1	· Lock spring		
16	850361	2	· Cable attachment		
17	956081	2	· Screw		
18	940090	2	· Washer		
19	949874	2	· Lock nut		(946577)
20	948211	2	· Strip clamp		
21		1	Control		
22		1	Control cable	231	
23		1	· Nut		
24	874676	1	Cable kit		